

General Product Information

This product is suitable for indoor dry locations only.

This product is to be installed to a standard 4" junction box with 3" round plaster ring or an octagon junction box.



CAUTION - RISK OF FIRE

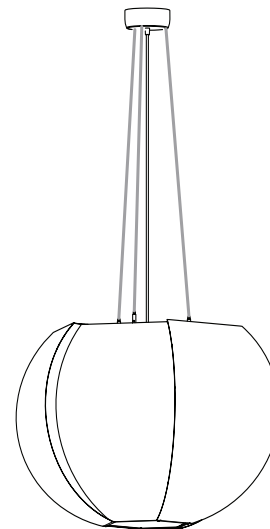


This product requires installation by a qualified electrician. Before installing be sure to read all instructions and **TURN POWER OFF TO THE JUNCTION BOX**

Bulb and Dimmability Notes:

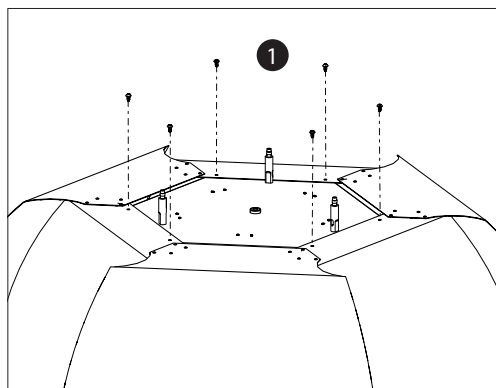
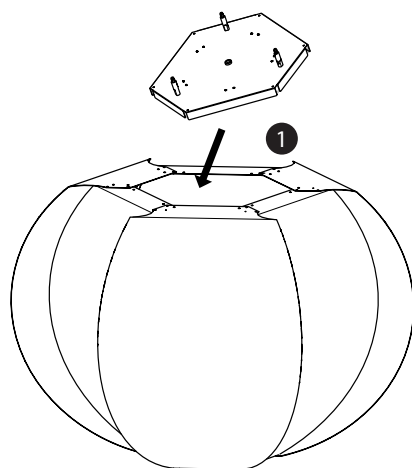
Medium Base (E26): The ability to dim the fixture will depend on the type of bulb selected. The Medium Base (E26) version of this fixture accepts Medium Base (E26) based lamps (not included). Ensure that the lamps do not exceed the maximum rated wattage listed on socket

LED Version: Fixture can be dimmed with TRIAC, ELV, or 0-10V dimming at 120 VAC input. For 240 or 277 VAC input, fixture is only dimmable with 0-10V dimming. Wiring details are outlined in the instructions.

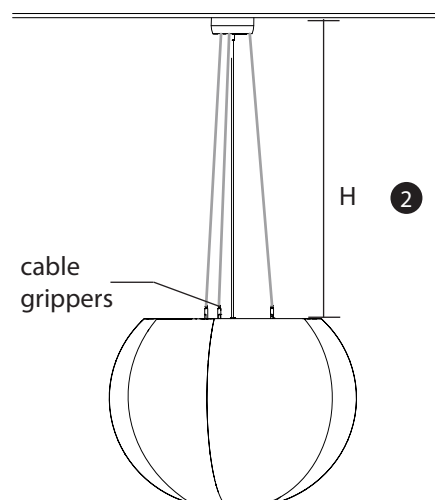


Attaching the Light Engine and Adjusting the Fixture Height

- 1 Tilt the light engine to insert it through the top opening of the shade. Use a phillips head screw driver and the provided round head sheet metal screws to secure the light engine to the top of the shade.



- 2 Measure the desired height (H) that you want the fixture to hang below the ceiling. Adjust the length of the suspension cables to roughly the desired length by pushing them into the cable grippers located on the top of the fixture. Final adjustments can be made after the fixture has been mounted.



Electrical Connections

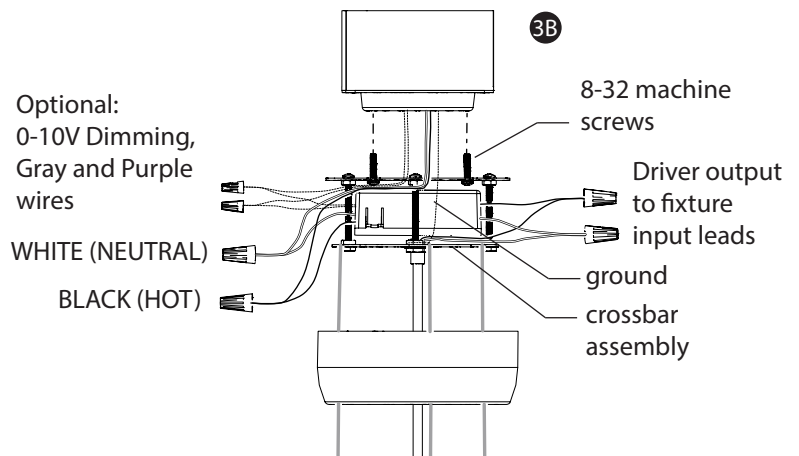
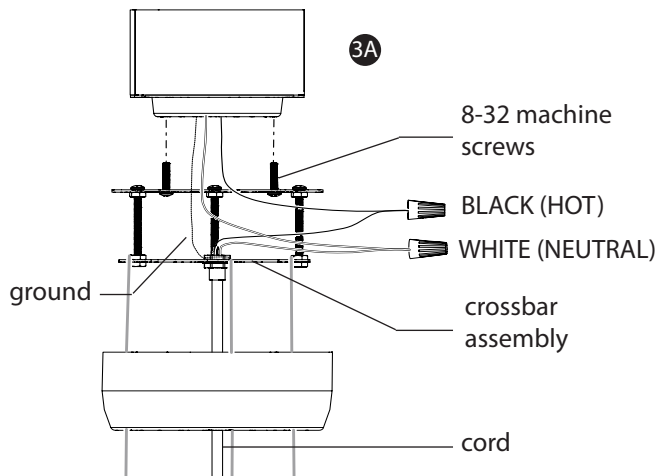
E26 Base Version:

- 3A Use 8-32 machine screws to fasten the crossbar assembly onto the junction box. Pull the line voltage wires through the center hole on the crossbar assembly. Pull the cord from the fixture through the threaded stud on the crossbar assembly. Use wire nuts to make the connections between the line voltage wires and the power cord. Connect a ground wire to the crossbar assembly.

Integrated LED Version:

- 3B Use 8-32 machine screws to fasten the crossbar assembly onto the junction box. Pull the line voltage wires from the junction box. Use wire nuts to make connections between line voltage wires and the driver. Connect the driver output wires and connect them to the fixture input leads. Connect a ground wire to the crossbar assembly.

(Optional) If 0-10V dimming control is to be used, connect purple and grey LED Driver leads to leads from remote 0-10V dimmer.

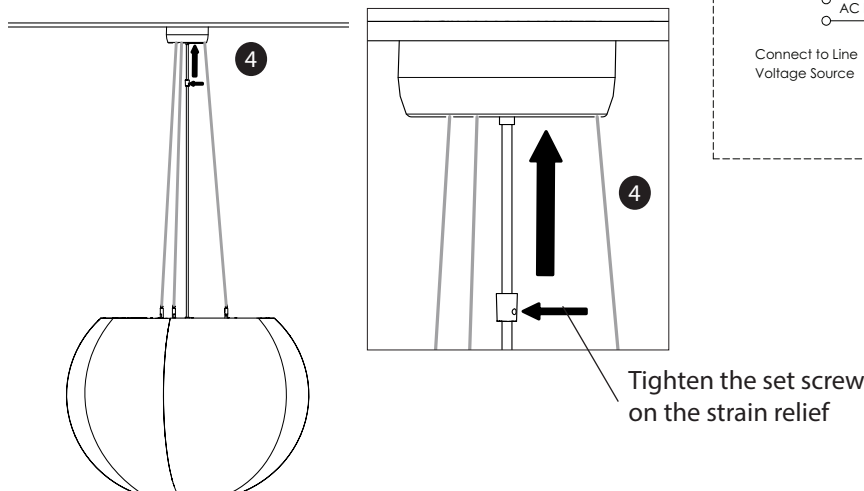


Final Steps

- 4 Push the canopy upwards until the canopy is flush with the ceiling. Secure the canopy by attaching the strain relief to the threaded stud. Use a screw driver to tighten the set screw on the strain relief.
- 5 Level the fixture by making small adjustments to the length of each suspension cable. Pressing the small cylinder on top of the cable gripper will release the grip on the suspension cable.

E26 Base Version:

- 6 Insert the bulbs into the fixture.



CRITICAL NOTE:

If 0-10V dimming is not being used, the tinned ends of the purple and grey LED Driver leads should be snipped off and these leads should be capped individually such that they remain isolated from one another.

Dimming Notes

Input Voltage	Dimming Modes
120 VAC	Triac, ELV, or 0-10V
240 VAC	0-10V only
277 VAC	0-10V only

