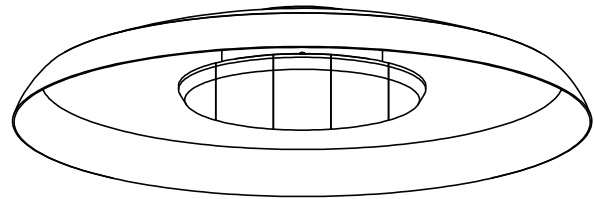


Torrey Pendant



Torrey Flushmount

Driver Specs:

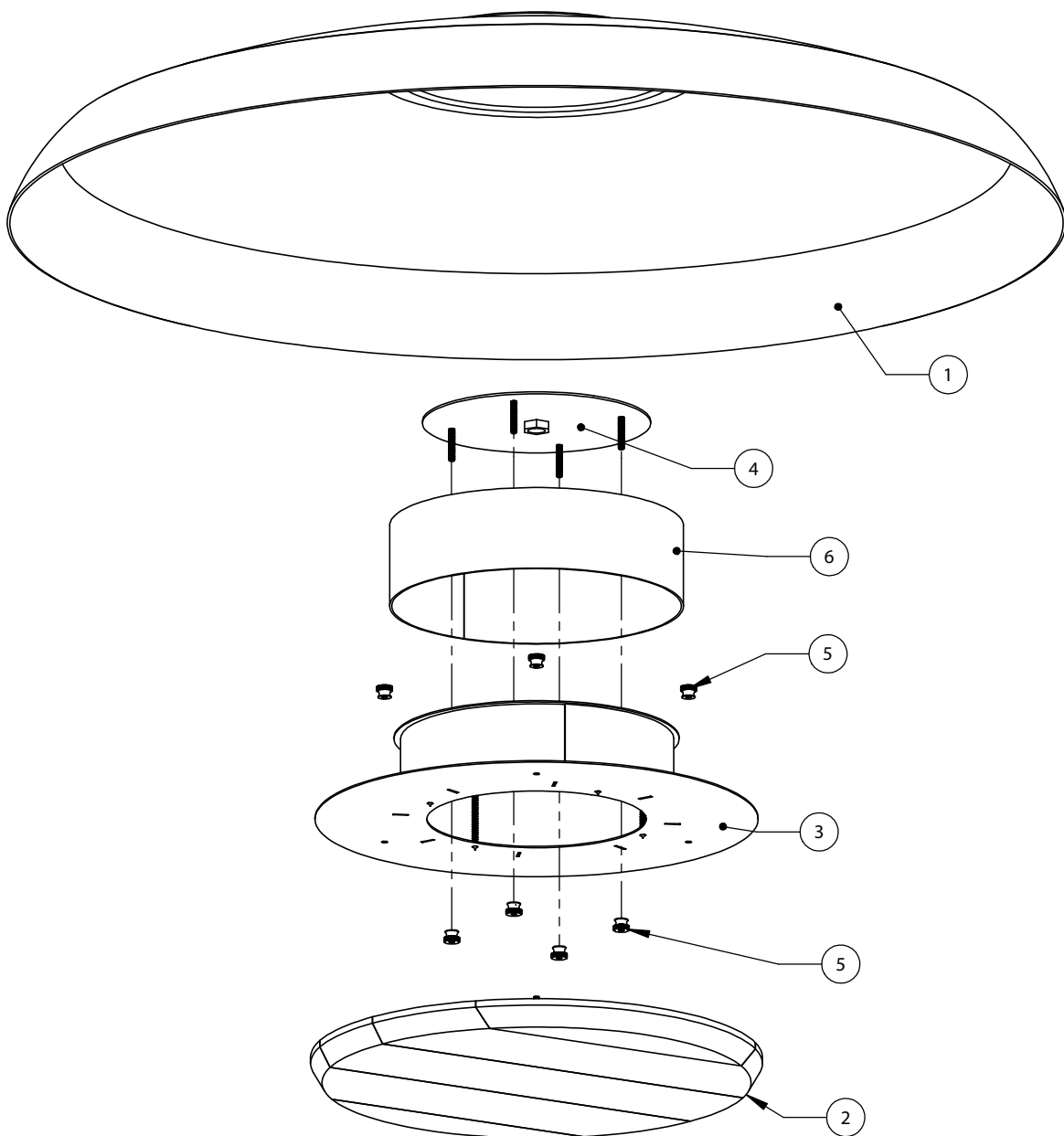
- 120-277VAC Input
- 0-10V dimming down to 1% with dim to off
- LED driver integrated into fixture

Light Output:

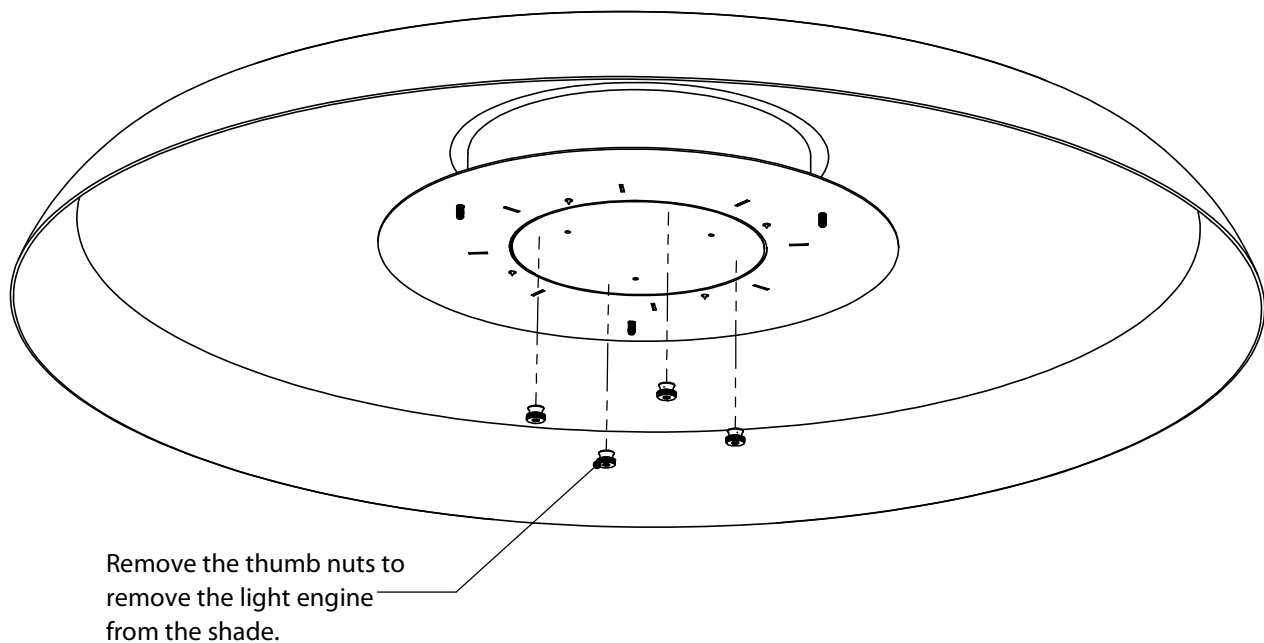
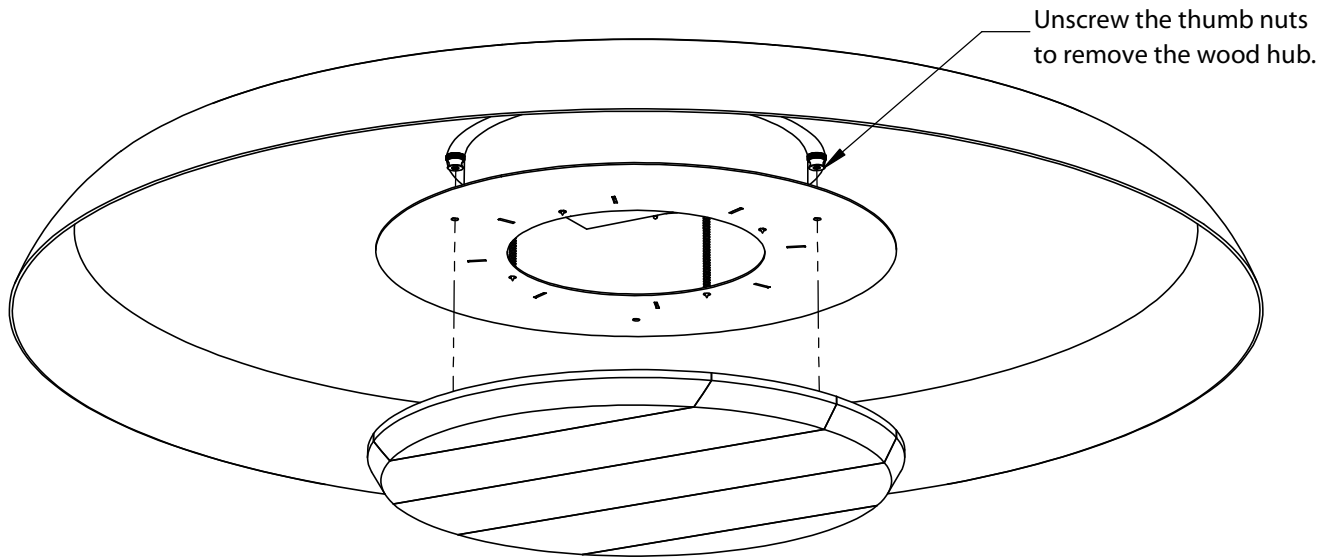
- Full output: 2275 Lumens (delivered) , 37 Watts
- Custom Reduction Percentage- to reduce both lumens and wattage.
- Full output based on Textured White shade interior.



Torrey Assembly Parts List		
Item	Description	QTY
1	Shade	1
2	Wood Hub	1
3	Light Engine Assembly	1
4	Mounting Plate Assembly	1
5	Thumb nut	7
6	Diffuser	1



- 1) After unpacking, remove the wood hub from the fixture by removing the three thumb nuts.
 - 2) Remove the light engine assembly from the mounting plate by removing the four thumb nuts.
- NOTE: The diffuser is not fastened to the light engine. Make sure that it remains seated outside of the bent-up tabs



3) Flushmount Version Only:

Remove the nut to disassemble the mounting plate from the shade and crossbar assembly.

4) See the next page for the details on the canopy components for both the Pendant and Flushmount.

Pendant Version Only:

Fasten the crossbar assembly to the junction box. Feed the cord through the mounting plate, the shade, the strain relief nut, the canopy, and the bracket on the crossbar assembly. Use the set screw on the strain relief nut, after making your electrical connections, to secure the cord.

Flushmount Version Only:

Feed the line voltage wires through the nipple on the crossbar assembly and then fasten the crossbar onto the junction box. Pass the line voltage wires through the shade and the mounting plate. Then, lift the shade and mounting plate so that the threaded nipple passes through both components. Lastly, use the lock washer and nut so that the shade is secured tightly against the ceiling.

6) Double check that the diffuser is properly seated on the light engine, outside of the bent-up tabs.

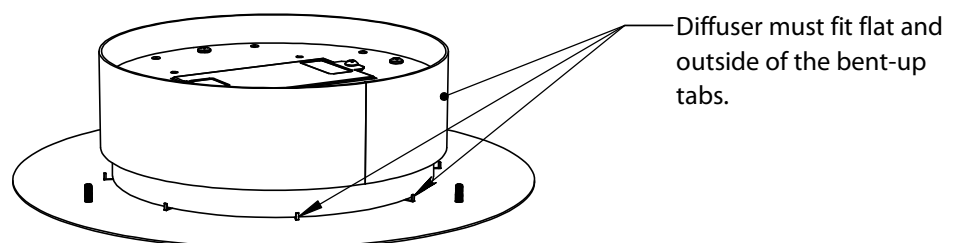
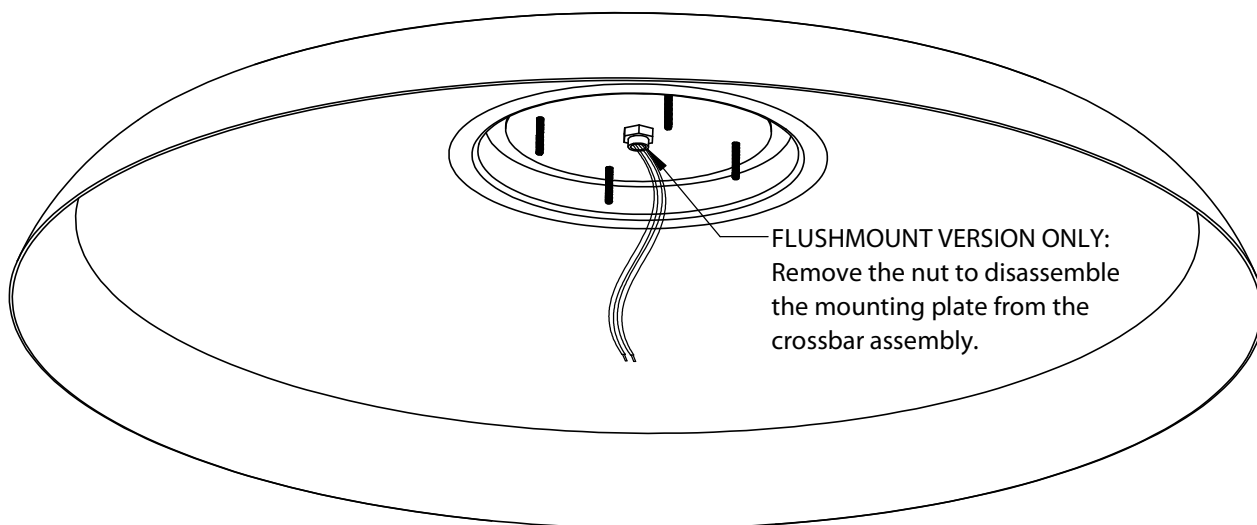
7) Slide the light engine onto the four threaded studs from the mounting plate. Replace the thumb nuts and tighten until the diffuser is fully seated against the inside of the shade.

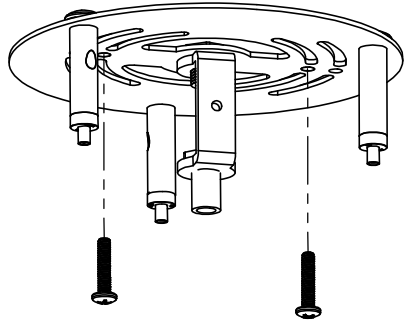
8) Make the wire connections between the line voltage feed and the black/white AC input leads of the driver.

OPTIONAL: For 0-10V dimming control, connect the purple and grey wires to a 0-10V dimming signal.

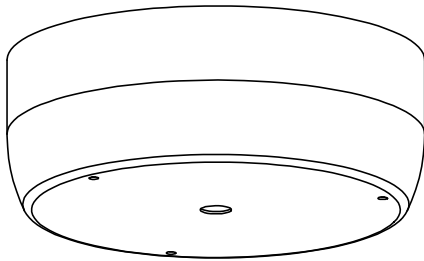
9) Switch on AC power to test the fixture.

10) Reinstalled the wood hub using the three remaining thumb nuts.





<i>Pendant, Canopy Components</i>		
<i>Item No.</i>	<i>Description</i>	<i>QTY</i>
1	Crossbar assembly	1
2	Canopy	1
3	Strain Relief nut	1
4	Screws	2



<i>Flushmount, Canopy Components</i>		
<i>Item No.</i>	<i>Description</i>	<i>QTY</i>
1	Crossbar assembly	1
2	Screws	2
3	Canopy	1
4	Nut	1

