



matte white, walnut

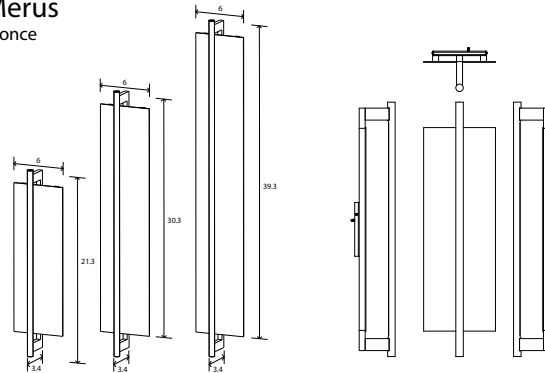


matte white



Merus is a quintessential Cerno design. Clean, modern lines paired with a novel indirect light source compose a form that balances beauty and usefulness. Our team used Cerno's signature material palette of wood and metal.

Merus sconce

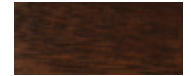


- Merus 22 dimensions: 21.3" x 6" x 3.4"
- Merus 31 dimensions: 30.3" x 6" x 3.4"
- Merus 40 dimensions: 39.3" x 6" x 3.4"
- Merus 22/31 weight: 2 lb
- Merus 40 weight: 3 lb
- Light source: integrated LED
- Merus 22 light output: 780 Lumens (source)
- Merus 31 light output: 1170 Lumens (source)
- Merus 40 light output: 1560 Lumens (source)
- Light color options: 2700 K, 3000 K, 3500 K, or 4000 K
- Color accuracy: 90+ CRI
- Merus 22 power usage: 11 W
- Merus 31 power usage: 16 W
- Merus 40 power usage: 21 W
- Dimmable (see options below)
- Specifications subject to change
- Driver location: must be housed in J-box
- Merus 22 driver dimensions: 2.63" x 1.25" x 0.8", included
- Merus 31 driver dimensions: 3.0" x 1.0" x 1.5", included
- Merus 40 driver dimensions: 2.82" x 2.5" x 1.2", included

The Merus can be oriented as a vertical sconce or horizontal sconce. When oriented vertically, a right or left orientation can be achieved by flipping the fixture vertically.



walnut
(CM-001)



dark stain walnut
(CM-002)



white washed oak
(CM-095)



matte black (CM-085)
exterior with matte white
reflector

MATERIAL & FINISH OPTIONS

	Merus part # 03-251-	B	A -
Size			
22"	22		
31"	31		
40"	40		
Wood Finish			
walnut (CM-001)	W		
dark stained walnut (CM-002)	D		
white washed oak (CM-095)	O		
Lamping			
2700 K LED	27		
3000 K LED	30		
3500 K LED	35		
4000 K LED	40		
Driver			
120 V AC input voltage			
TRIAC, ELV & 0-10 V dimming	P1		
277 V AC input voltage			
TRIAC, ELV & 0-10 V dimming	P2		

- Includes
- matte black (CM-085) exterior with matte white reflector
- brushed aluminum (CM-006)

