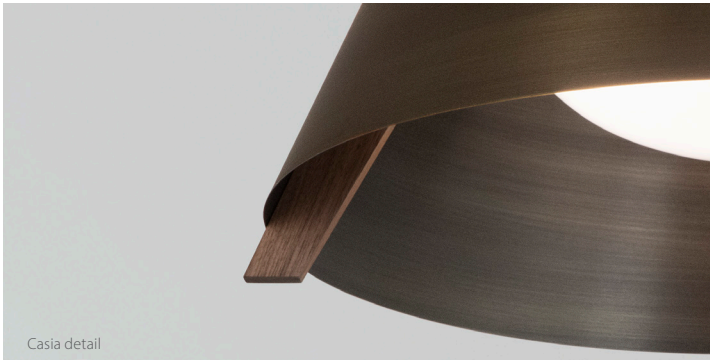




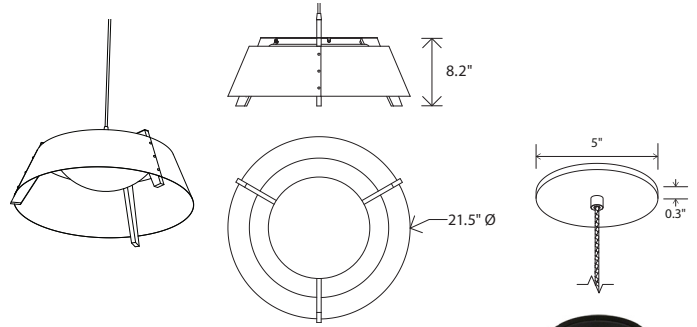
Casia Pendant 22, dark stain walnut, distressed brass



Casia detail

The Casia Pendant was a natural progression after releasing the Casia Flush Mount in early 2020. The wood arms, metal shade, and glass diffuser combine to create a minimalist form well suited for a modern environment or a traditional space. Each carefully selected material plays an integral role in the aesthetic design and performance.

## Casia 22 pendant



Dimensions: 21.5" Ø, 8.2"  
 Product weight: 5 lb  
 Light output: minimum 1981 Lumens (source)  
 See Lamping options below  
 Light color: 2700 K or 3500 K  
 Color accuracy: 90+ CRI  
 Power usage: 23 W  
 Dimmable (see power options below)  
 Low profile round canopy with SVT-3 Cable  
 Canopy dimensions: 5" Ø, 0.3"  
 See website for more canopy information  
 Field adjustable drop length: 0'6" min - 8'0" max  
 Gloss White (CM-054) shade option ships with Textured White Powdercoat Canopy and SVT-3 Cable, White (CM-040)  
 All other shade option ship with Textured Black Powdercoat (CM-049) and SVT-3 Cable, Black (CM-039)  
 Wood grain will vary  
 Specifications subject to change



### MATERIAL & FINISH OPTIONS

Casia 22 pendant part # 06-280-22

#### Shade Material

matte black (CM-085) with matte white interior  
 white interior  
 distressed brass (CM-009)  
 gloss white (CM-054)

#### Wood Body

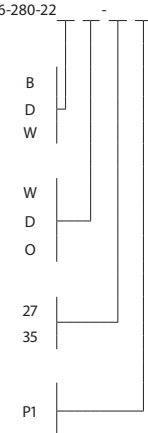
walnut (CM-001)  
 dark stained walnut (CM-002)  
 white washed oak (CM-095)

#### Lamping

2700 K LED - 1981 Lumens (source)  
 3500 K LED - 2083 Lumens (source)

#### Power Option

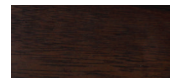
120-277 V AC input voltage  
 TRIAC and ELV dimming



low-profile round canopy with braided cord



walnut (CM-001)



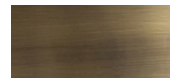
dark stained walnut (CM-002)



white washed oak (CM-095)



matte black (CM-085) with matte white interior



distressed brass (CM-009)



gloss white (CM-054)



**▲WARNING.** California Proposition 65 Warning for California Consumers. This product can expose you to chemicals including wood dust and lead which are known to the State of California to cause cancer or birth defects or other reproductive harm. For more information go to [www.P65Warnings.ca.gov](http://www.P65Warnings.ca.gov)