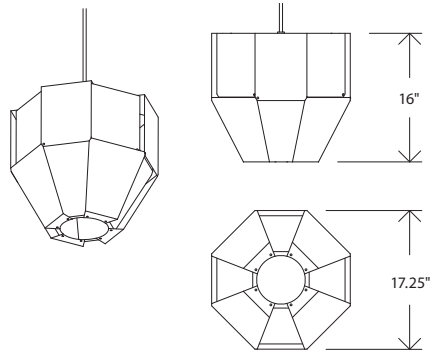


Inspiration for the Astrum dates back to the first light fixture the three of us ever made after starting Cerno. The varying depths of the flat panels strategically obstruct a direct view of the light source. Light reflects off the inside of the outer panels and bounces off the inner panels producing a halo washing effect. The oculus at the bottom functions to emit a useful amount of downlighting. This design manages to pay homage to past modern designs while also feeling a bit futuristic.

### Astrum 17 pendant



Dimensions: 17.25" x 17.25", 16"  
 Product weight: 4 lb  
 Suitable for a sloped ceiling

#### Integrated LED Specifications

Light output: 1690 Lumens (source)  
 Light color: 2700 K, 3000 K, 3500 K or 4000 K  
 Color accuracy: 90+ CRI  
 Power usage: 19.5 W  
 Dimmable (see driver below)  
 Driver must be housed in J-box  
 Driver dimensions: 3.3" x 1.6" x 1", included

#### E26 Medium Base Specifications

Lamping: 2x E26 base, type A lamp, 60 W max  
 Input voltage: 250 V AC max  
 Bulb not included

Textured Black Powdercoat (CM-049) low profile round canopy with SVT-3 Cable, Black (CM-039)  
 Canopy dimensions: 5" Ø, 0.3"  
 See website for more canopy information  
 Field adjustable drop length: 0'6" min - 8'0" max  
 Specifications subject to change



#### MATERIAL & FINISH OPTIONS

Astrum 17 part # 06-270-17 -

##### Shade Material

matte black (CM-085) with matte white interior B  
 distressed brass (CM-096) D  
 gloss white (CM-054) W

##### Lamping

2700 K LED 27  
 3000 K LED 30  
 3500 K LED 35  
 4000 K LED 40  
 medium base E26 socket MB

##### Driver (LED version only)

AC Input Voltage Range: 120-277 V  
 120 V input: TRIAC, ELV & 0-10 V dimmable P1  
 240 & 277 V input: only 0-10 V dimmable

