

Project: \_\_\_\_\_

Contact: \_\_\_\_\_

Fill in the shaded boxes using the information listed below

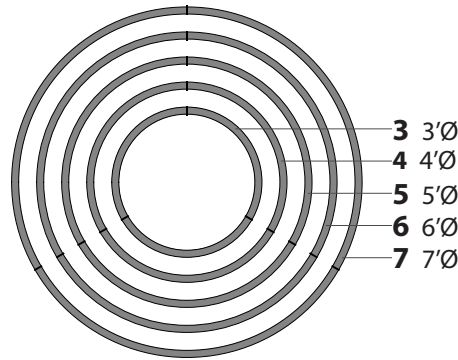
Order Code: **R-0030** - \_\_\_\_\_ - \_\_\_\_\_ - \_\_\_\_\_ - \_\_\_\_\_ - \_\_\_\_\_ - \_\_\_\_\_ - \_\_\_\_\_

Model      (A) DIAMETER      (B) SUSPENSION      (C) FINISH 1      (D) FINISH 2      (E) LIGHT DIRECTION      (F) LAMPING      (G) OPTION CODE

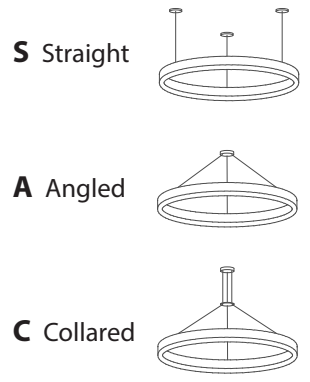
EXAMPLE ORDER CODE: R-0030 - 4 - S - 002 - 008 - D - 27 - EM



(A) FIXTURE DIAMETER



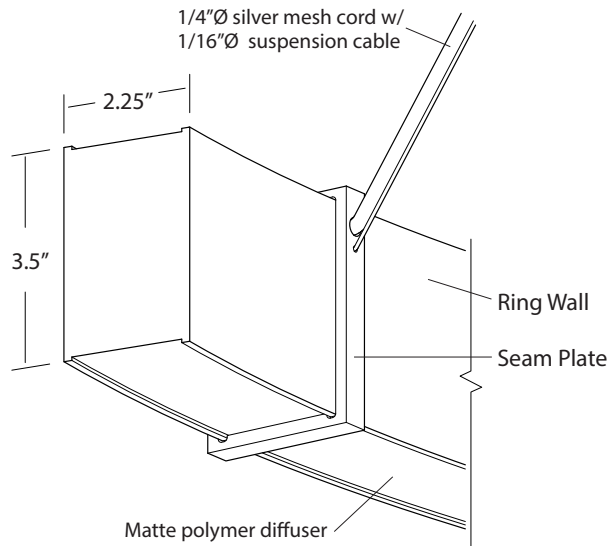
(B) SUSPENSION



Gaviota, 6' diameter, Angled cables, Walnut ring walls, Distressed brass seam plate, Direct light, 3000K.



Detail of Distressed Brass seam plate with Walnut ring walls.



All Gaviota pendants have 3 seam plates and suspension cables, number of electrical cords per model listed on page 2.

(C) RING WALLS FINISH

- 001 Walnut
- 002 Dark Stained Walnut
- 095 White Washed Oak
- 012 Brushed Aluminum
- 046 Rose Gold
- 047 Brushed Brass
- 096 Distressed Brass
- 092 Matte Black
- 093 Matte White

(D) SEAM PLATE FINISH

- 006 Brushed Aluminum
- 071 Brushed Brass
- 117 Distressed Brass

(E) LIGHT DIRECTION

- D Direct
- B Direct and Indirect

Walnut and Oak fixtures are constructed of real solid wood with a natural oil finish.

(E) LAMPING CCT

27	2700K LED
30	3000K LED
35	3500K LED
40	4000K LED

CRI 90+  
R9 values 85+

(F) OPTION CODE

- XD** For custom drop lengths add "XD" followed by desired *Overall Height* in inches at end of order code. Otherwise a standard 72" drop length is provided which is field cuttable.
- EM** Emergency Backup option.



Lumen Output / Wattage / Cords

Direct Light

Diameter	Watts	Delivered Lumens (down)	Number of Drivers	Weight (Lbs)	Number of Electrical Cords
3'	74	7210	1	21	1
4'	94	9212	2	26	2
5'	125	12110	2	30	2
6'	150	14560	2	33	2
7'	170	16660	2	38	2

Direct and Indirect Light

Diameter	Watts	Deliver Lumens Down	Delivered Lumens Up	Number of Drivers	Weight (Lbs)	Number of Electrical Cords
3'	111	7210	3883	2	21	2
4'	143	9212	5117	3	26	3
5'	186	12110	6377	3	30	3
6'	224	14560	7665	3	33	3
7'	252	16660	8554	3	38	3

Driver Specs

120-277VAC Input

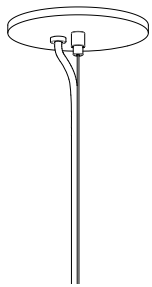
0-10V dimming down to 1% with dim to off

Drivers to be mounted remote at a maximum distance of 50' including pendant drop distance, provided a 12 gauge wire is used.

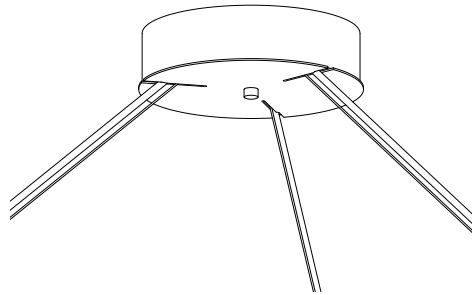
Driver dimension is 7" x 1.5" x 1"

Canopy, Suspension Cables and Electrical Cords

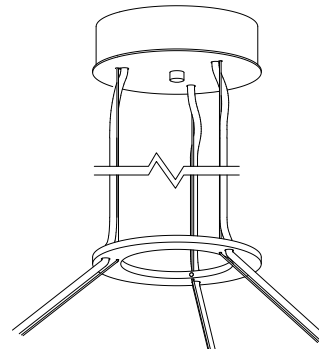
- The Thalia is built in 3 sections and is assembled on site.
- 1/16" aircraft cable with cable grip suspension hardware included.
- 72" drop provided for a suspension types - add XD in order code for longer drops.
- 24" minimum drop for angled cable suspensions
- Angled suspension cable angles not to be less than 30 degrees from horizontal
- Canopies match seam plate material finish



Straight Suspension  
Canopy 5" Ø X .29"H



Angled Suspension  
Canopy 8" Ø X 2"H



Collared Suspension  
Canopy 6" Ø X 1.7"H  
Collar 6" Ø X .25"H

Finish 1 - WOOD BODY



001  
Walnut  
CM - 001



002  
Dark Stained Walnut  
CM - 002



095  
White Washed Oak  
CM - 095



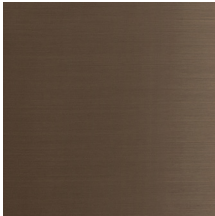
006  
Brushed Aluminum  
CM - 006



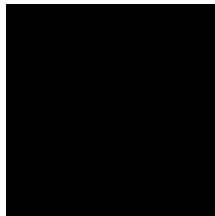
046  
Rose Gold  
CM - 046



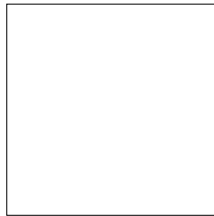
008  
Brushed Brass  
CM - 008



096  
Distressed Brass  
CM - 096

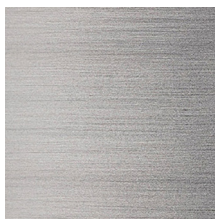


092  
Matte Black  
CM - 092



092  
Matte White  
CM - 092

Finish 2 - METAL



006  
Brushed Aluminum  
CM - 006



071  
Brushed Brass  
CM - 071



117  
Distressed Brass  
CM - 117