

General Product Information

This product is suitable for indoor dry or damp locations.

This product is to be installed to a standard 4" junction box with 3" round plaster ring or an octagon junction box.



CAUTION - RISK OF FIRE

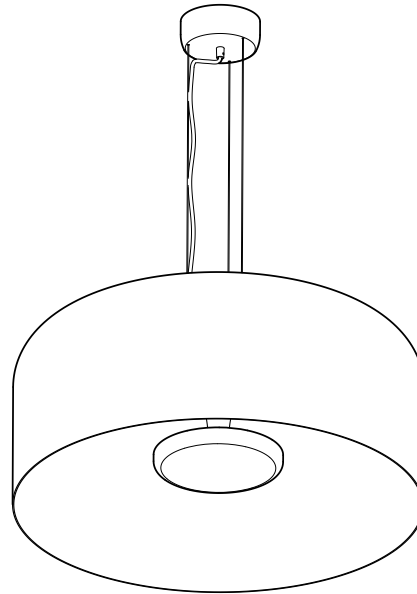


This product requires installation by a qualified electrician. Before installing be sure to read all instructions and **TURN POWER OFF TO THE JUNCTION BOX**

This fixture can be dimmed with 0-10V dimming only.

If 0-10V dimming is not being used, cut/cap the purple and grey leads so that they remain isolated.

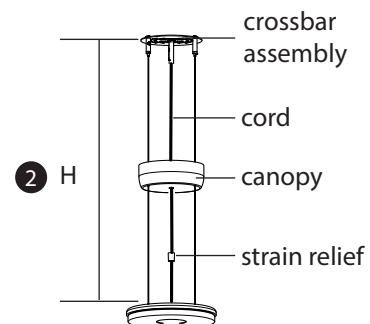
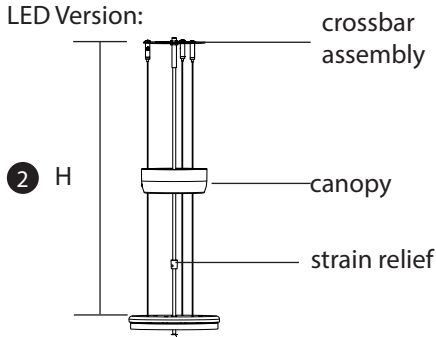
This fixture must be connected to an undimmed AC circuit. Attempting to control/dim the fixture with TRIAC or ELV dimming may cause irreversible damage to the integrated LED Driver.



Adjusting the Fixture Height

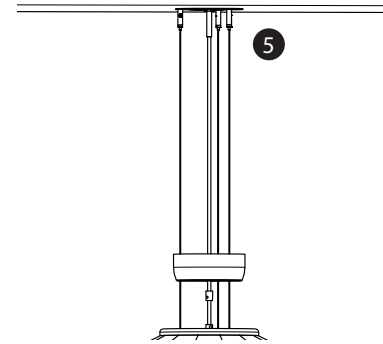
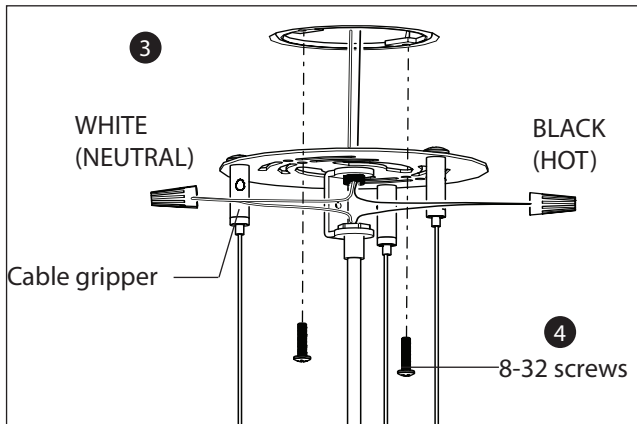
- 1 Feed the cord from the light source through the wood shade hub, the strain relief, the canopy, and the crossbar assembly.
- 2 Measure the desired height (H) that you want the fixture to hang below the ceiling. Adjust the length of the suspension cables to roughly the desired length by pushing them into the cable grippers located on the crossbar assembly. Final adjustments can be made after the fixture has been mounted.

LED Version:



Electrical Connections and Mounting the Fixture

- 3 Pull the line voltage wires from the junction box. Use wire nuts to make electrical connections between the fixture leads and line service.
- 4 Use the provided 8-32 screws to secure the crossbar assembly to the junction box.
- 5 Level the fixture by making small adjustments to the length of each suspension cable. Pressing the small cylinder on the cable gripper will release the grip on the suspension cable.



Final Steps

- 6 Push the canopy upwards until the canopy is flush with the ceiling. Screw the strain relief onto the threaded tube from the crossbar assembly. Use a screw driver to tighten the set screw on the side of the strain relief until it grips onto the cord.

