

Plura 46 Flushmount

Installation Instructions

cerno®

General Product information

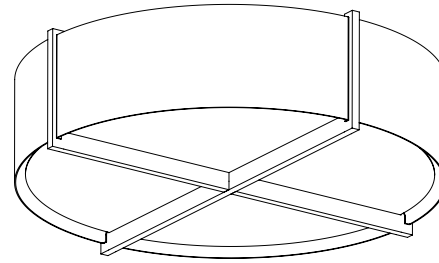
This product is suitable for indoor dry and damp locations only.

This product is to be installed to a 4" square junction box with a 3" round plaster ring or an octagon junction box.

Bulb and Dimmability Notes:

GU-24 Version: The ability to dim the fixture will depend on the type of bulb selected. The GU-24 version of this fixture accepts GU-24 based lamps (not included). Ensure that the lamps do not exceed the maximum rated wattage listed on socket.

LED Version: Fixture can be dimmed with TRIAC, ELV, or 0-10V dimming at 120VAC input. For 240 or 277VAC input, fixture is only dimmable with 0-10V dimming. Wiring details are outlined on second page of instructions.



CAUTION - RISK OF FIRE



This product requires installation by a qualified electrician. Before installing be sure to read all instructions and **TURN POWER OFF TO THE JUNCTION BOX**

All Models

Fastening Universal Crossbar to Junction box

- 1 Fasten the universal crossbar to the ceiling junction box using the included #8-32 x 3/4" machine screws.

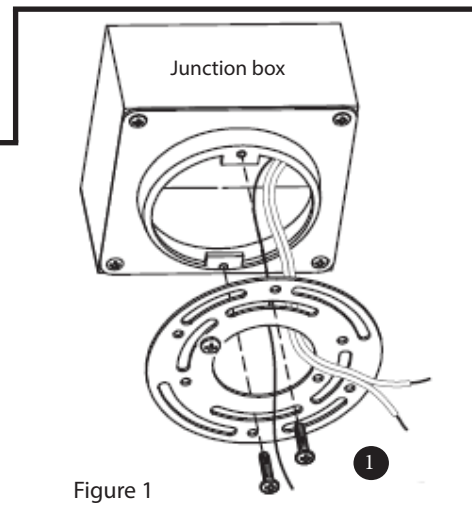


Figure 1

GU-24 Model Only

Installing the Canopy Assembly

- 2 Place the shiny side of the top diffuser over the canopy assembly. Pull line voltage wires out of the junction box. Connect the bare copper wire on the fixture and the green grounding screw on the cross bar to ground. Make connections between fixture leads and line voltage wires. Connections must be made through the middle of the polymer diffuser. Once all connections have been made, push the wire nuts into the junction box.
- 3 The universal crossbar has two tapped #8-32 holes near its outer perimeter. Fasten the Canopy Assembly to the universal crossbar using the included #8-32 x 2.25" machine screws.
- 4 Once the Canopy Assembly is secured to the ceiling, install your GU-24 lamps (not provided) into the sockets.

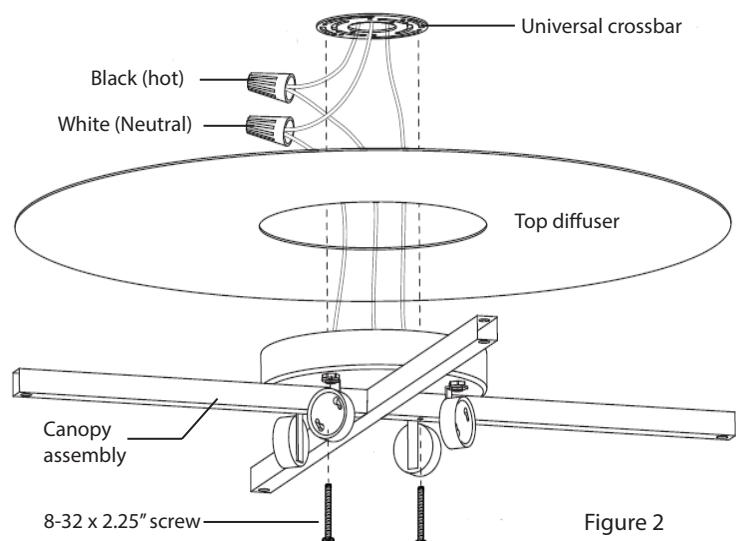
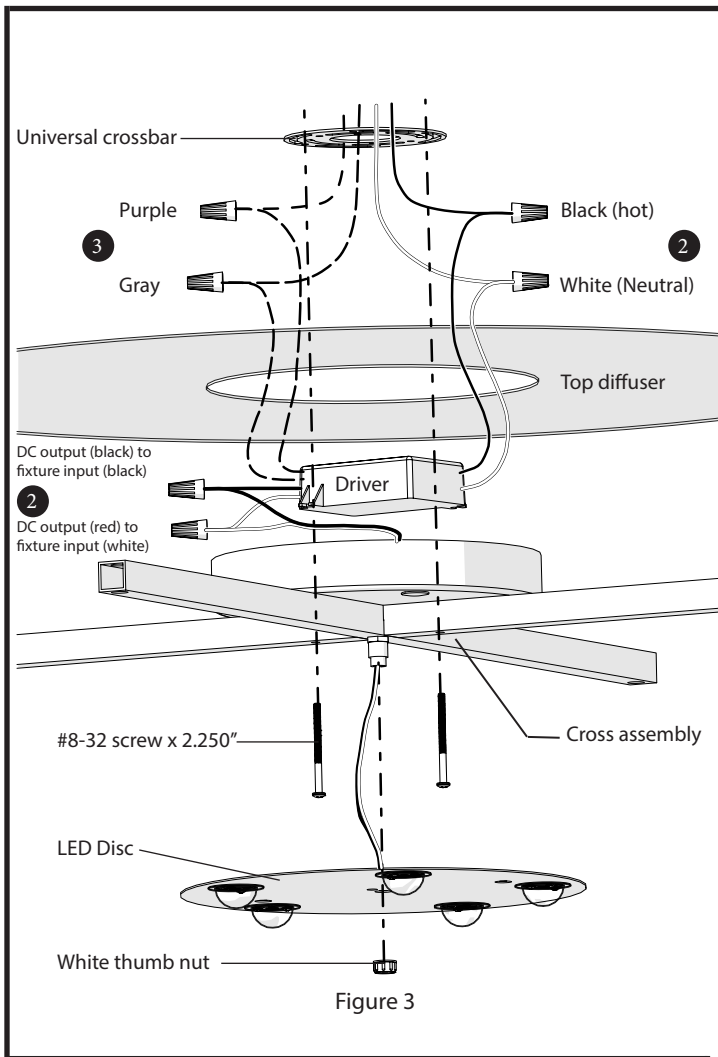


Figure 2



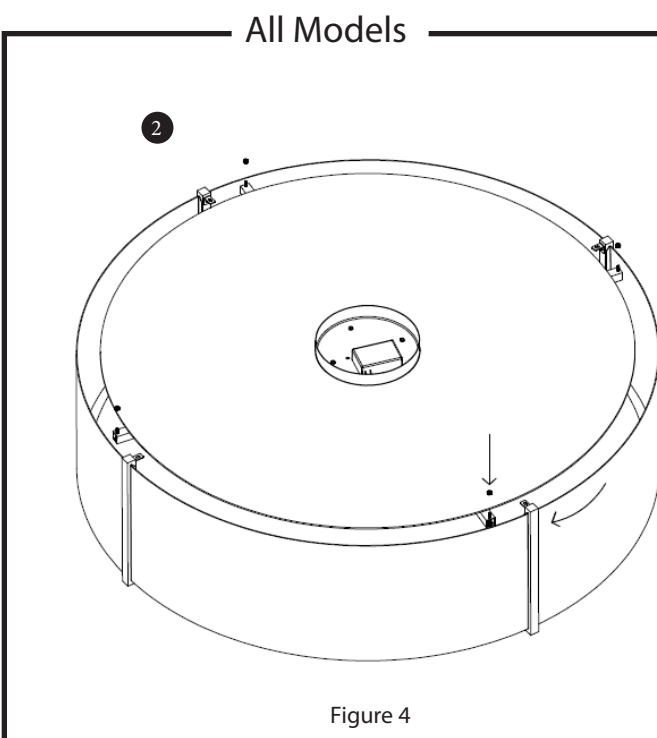
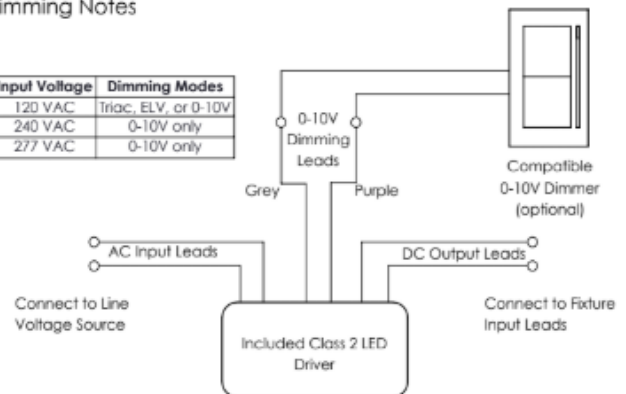
LED Model Only

Installing the Canopy Assembly

- Place the shiny side of the top diffuser over the cross assembly. Pull line voltage wires out of the junction box. Make connections between fixture leads, driver, and line voltage wires. Connections must be made through the middle of the polymer diffuser. Once all connections have been made, push the wire nuts into the junction box.
 - CRITICAL NOTE:** If 0-10V dimming control is to be used, connect purple and gray driver leads to 0-10V dimmer. Otherwise, the tinned ends of the leads should be snipped off and the leads should be capped individually such that they remain isolated from one another.
- Once all connections have been made, push all excess wire connections into the junction box.
- Unscrew the white thumb nut to remove the LED disc from the canopy assembly. This allows access to screw mounting holes.
 - The universal crossbar has two tapped #8-32 holes near its outer perimeter. Fasten the Canopy Assembly to the universal crossbar using the included #8-32 x 2.25" machine screws.
 - Once the Canopy Assembly is secured, tighten the white thumb nut onto the pipe nipple to secure LED disc to canopy assembly.

Dimming Notes

Input Voltage	Dimming Modes
120 VAC	Triac, ELV, or 0-10V
240 VAC	0-10V only
277 VAC	0-10V only



Attaching the Shade

- Check that the canopy and universal crossbar are secured to the junction box.
- Raise shade over the canopy assembly. Align the brackets on the shade with the screws at the ends of the canopy assembly. Use the lock nuts to secure the shade onto the light engine.