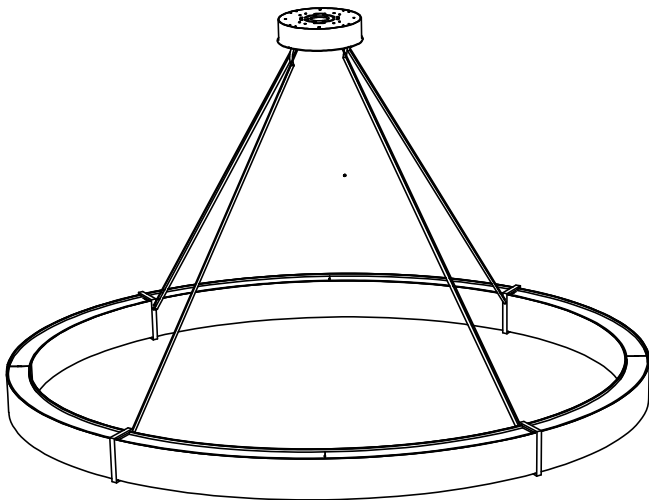
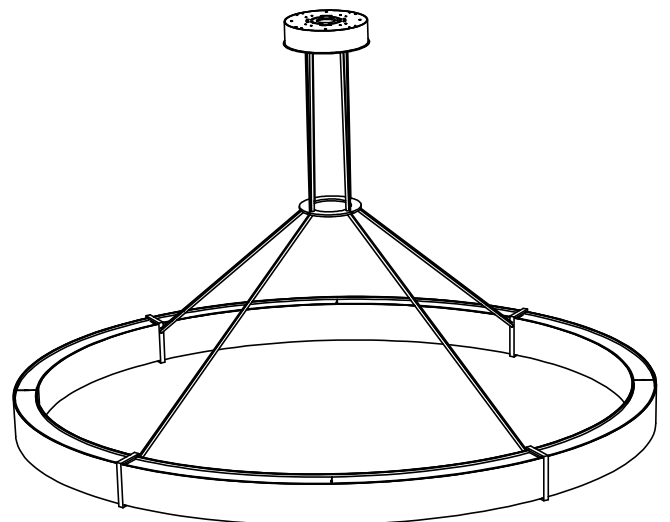


Monterey Straight Suspension Canopy
(See Page 5)



Monterey Angled Suspension Canopy
(See Page 7)

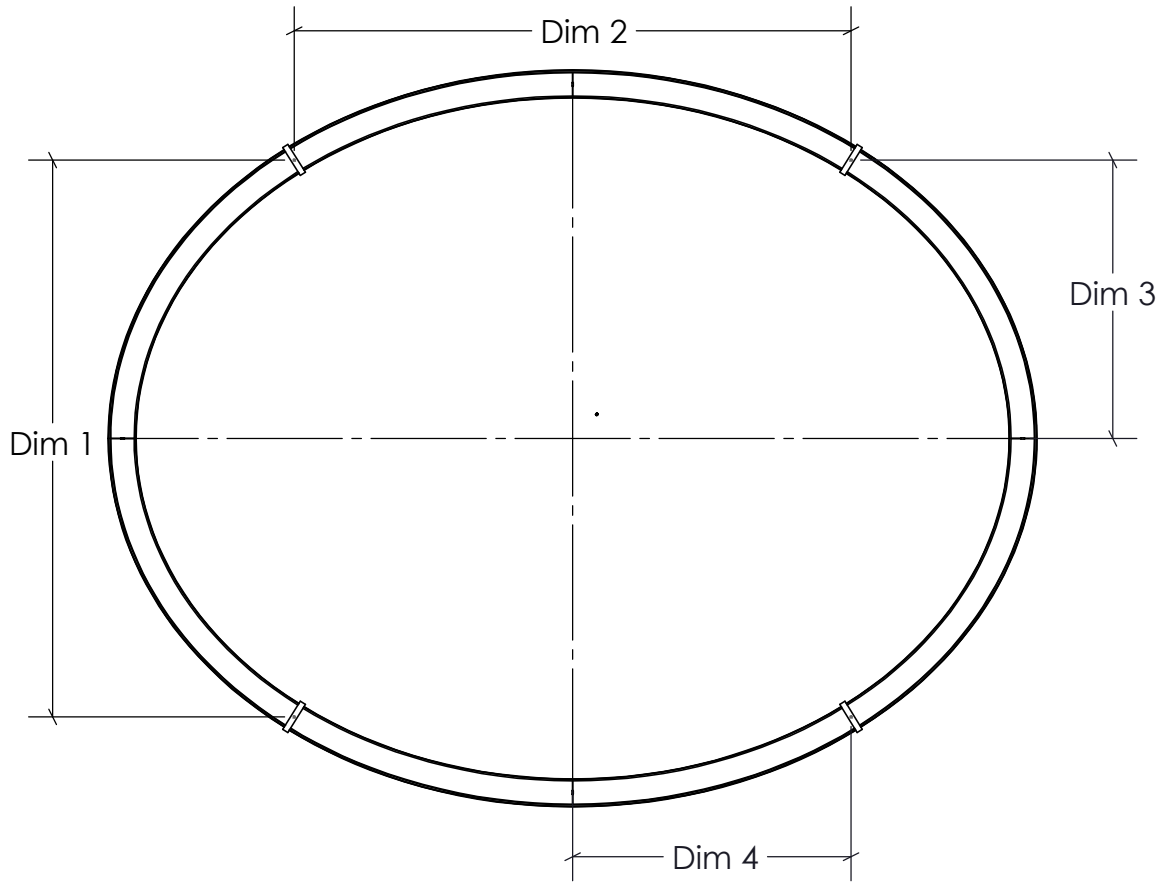


Monterey Collared Suspension Canopy
(See Page 6 and 7)



Dimensions given based on Floor Plan (above) perspective. All units in inches.

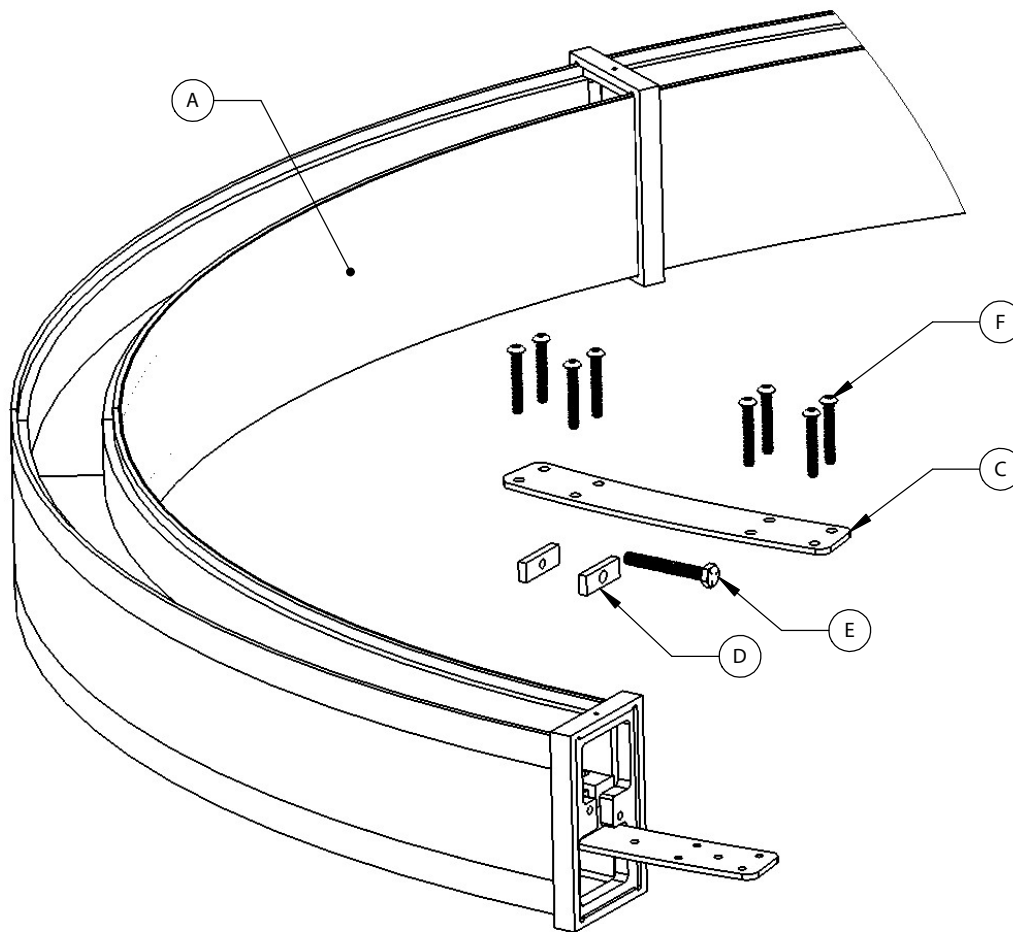
We recommend placing the assemble fixture on the floor underneath the desired location and marking J-box locations with a laser level.



Fixture Size	Dim 1	Dim 2	Dim 3	Dim 4
60" x 48"	37.5	37.5	18.7	18.7
75" x 59"	46.4	46.4	23.2	23.2

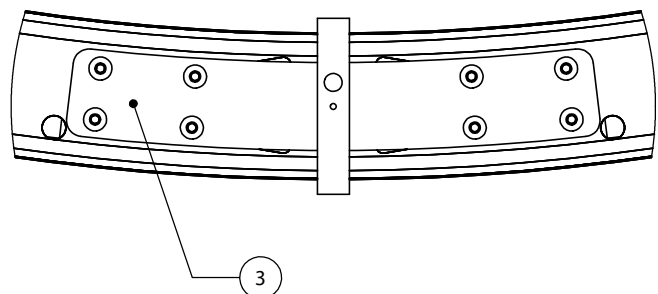
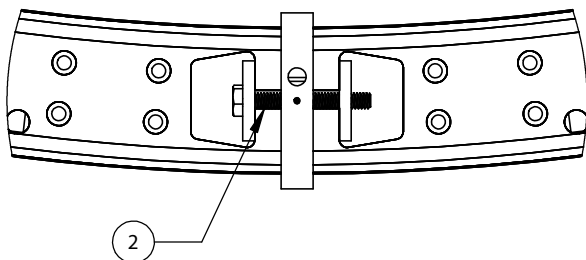
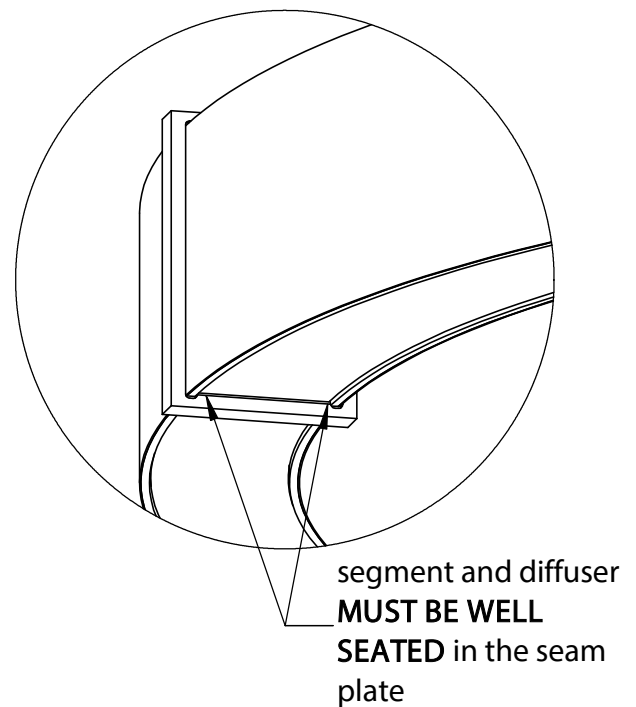
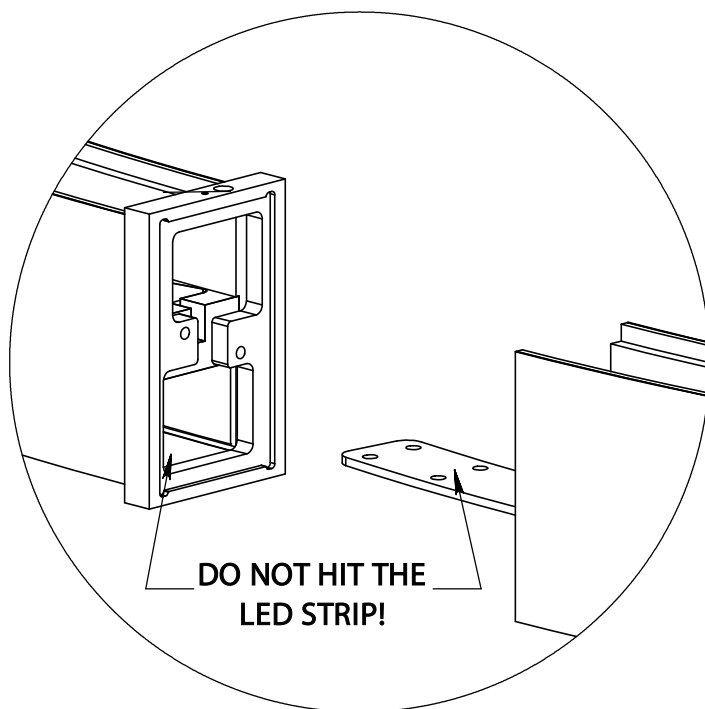


Monterey Assembly Parts List		
Item	Description	QTY
A	Monterey Segment	4
B	Monterey Diffuser Set	1 or 2
C	Monterey Connector Bracket	4
D	Draw Bolt Plate	4
E	Hex Head Screw, 1/4-20 Thread, 2in Length	4
F	Socket Cap Screw Button Head, #10-32, Length 1.375in	32



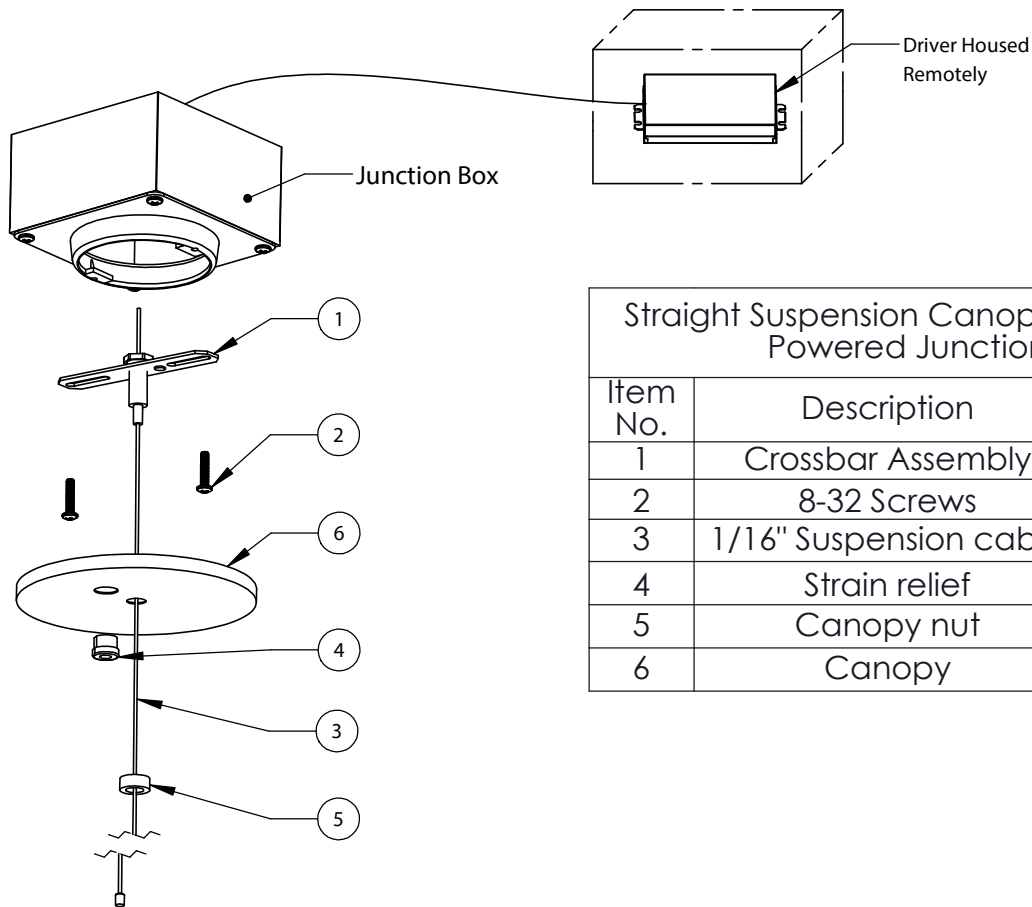
- (1) Carefully push the segments together and be **EXTREMELY CAUTIOUS** to not hit the LED strip.
CRITICAL NOTE: The segments and diffusers MUST BE WELL SEATED in the seam plate before continuing onto the next steps.
- (2) Place the hex head screw and the draw bolt plates in the pockets to hold the segments together. Tighten the screw to draw the plates together aligning the segment.
CRITICAL NOTE: Rotate between each of the joints, tightening each hex head screw a little bit at a time to make sure the segments align evenly at each of the joints. DO NOT fully tighten one joint before moving to the next.
- (3) Overlap the bracket with the eight holes on the segments and use the button head screws to secure the segments together.
- (4) Feed your cords out through the hole on the seam plate.
- (5) For wire connections, follow the indicators on the labels.
- (6) Insert the top covers or the top diffusers into the top of the segments.

Note for Uplight and Downlight Only: Remove the labels after properly making all the wire connections. Use the provided wire clips to gather the wire connections near the seam plate to avoid shadows being cast from the wire connections.



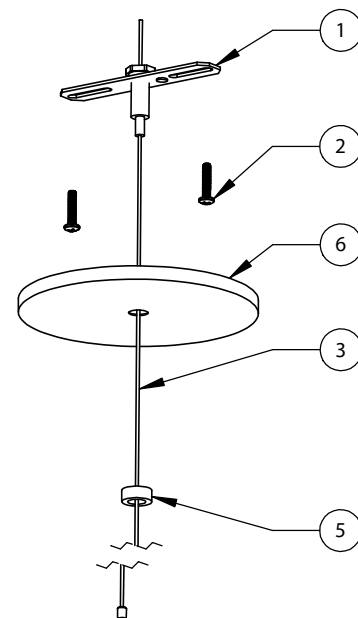
Straight Suspension Canopies

Note: Use the provided zip ties to couple the cords to the suspension cables.



Item No.	Description	Qty
1	Crossbar Assembly	1
2	8-32 Screws	2
3	1/16" Suspension cable	1
4	Strain relief	1
5	Canopy nut	1
6	Canopy	1

Item No.	Description	Qty
1	Crossbar Assembly	1
2	8-32 Screws	2
3	1/16" Suspension cable	1
4	Canopy nut	1
5	Canopy	1



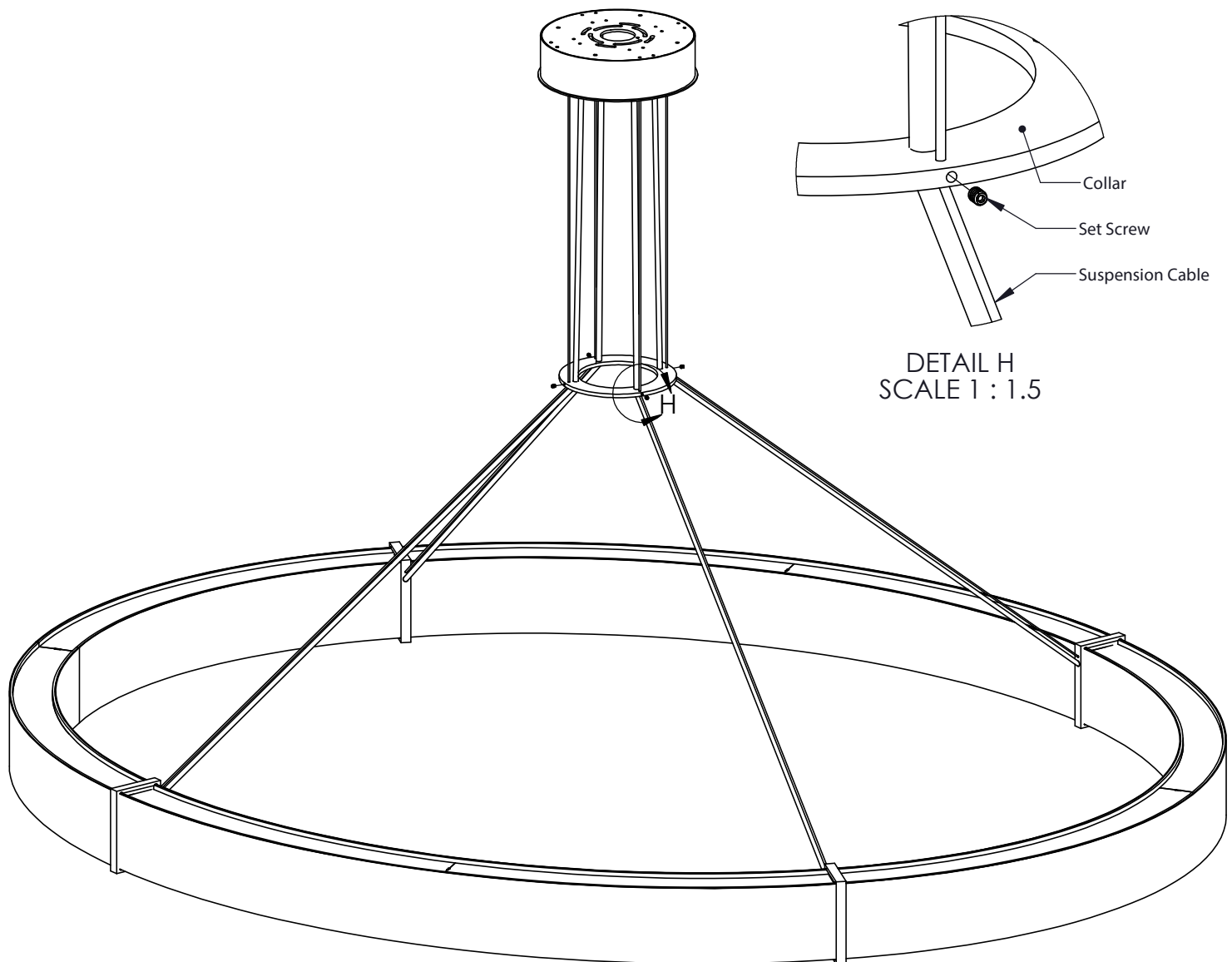
Collared Suspension Assembly

Note: This page only applies for the collared suspension version. Ignore this page for the straight or angled suspension styles.

- (1) Slide the suspension cables and cord from each joint through the corresponding holes in the collar.
- (2) Determine the desired height of the collar and adjust the collar so that there is an equal length of suspension cable between the joints and the collar.

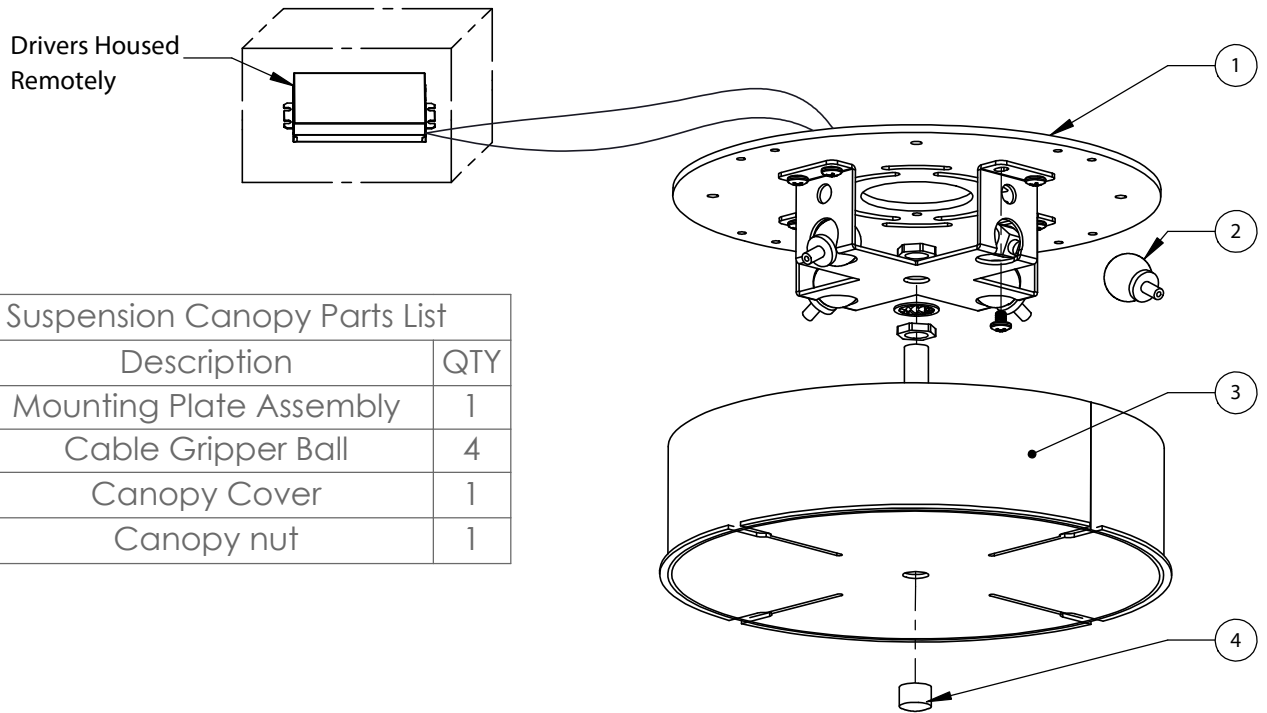
Critical Note: To make sure the fixture hangs level, it is critical that the length of suspension cable between the joints and collar is equal on all sides.

- (3) Tighten the set screws to lock the position of the collar.

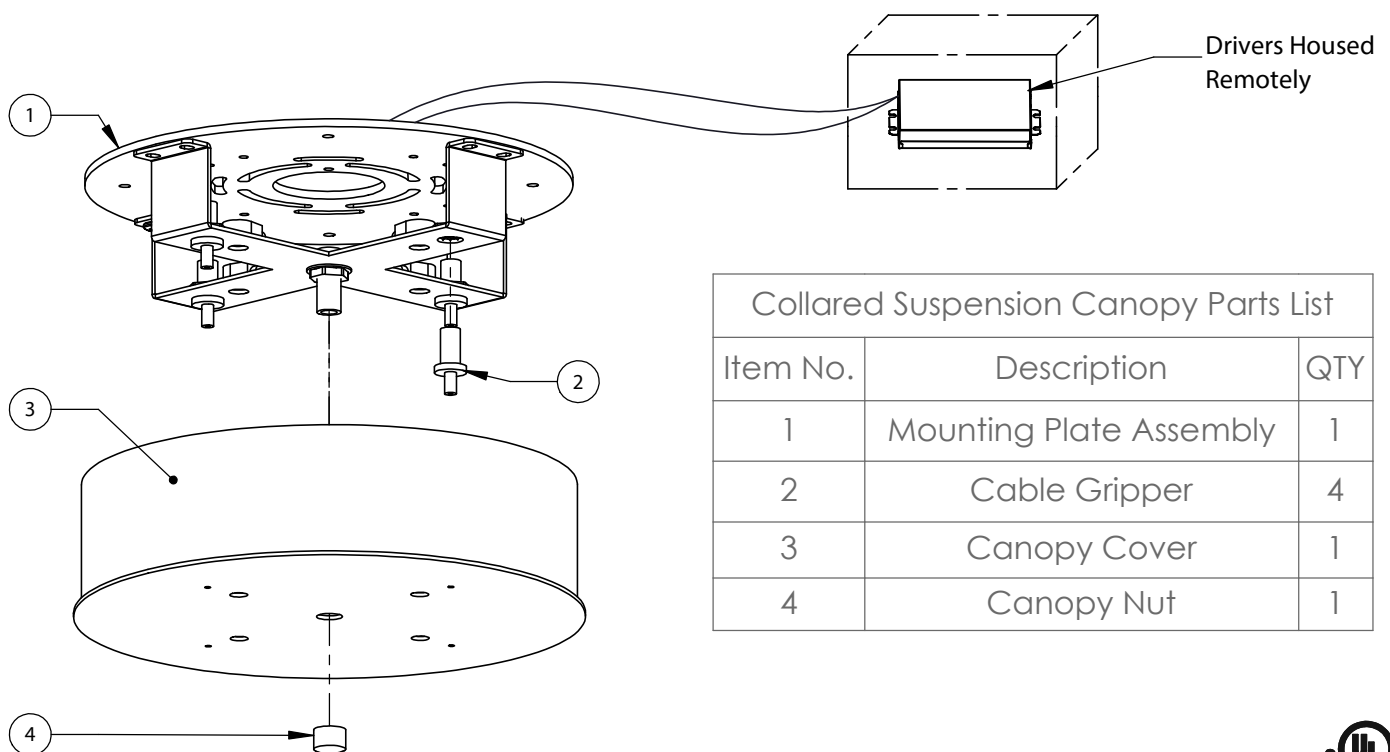


Angled & Collared Suspension Canopies

Note: Use the provided zip ties to couple the cords to the suspension cables.



Item No.	Description	QTY
1	Mounting Plate Assembly	1
2	Cable Gripper Ball	4
3	Canopy Cover	1
4	Canopy nut	1



Item No.	Description	QTY
1	Mounting Plate Assembly	1
2	Cable Gripper	4
3	Canopy Cover	1
4	Canopy Nut	1

