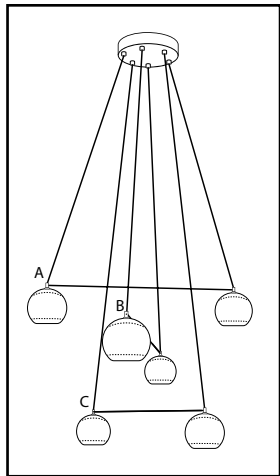


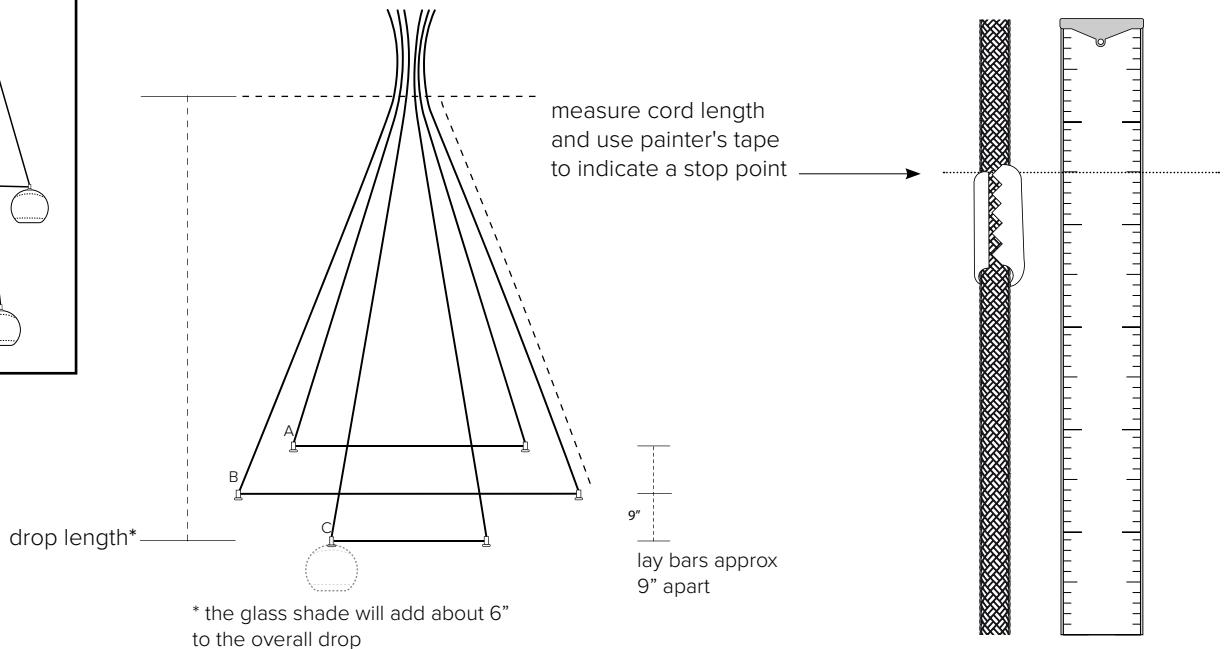
## Linea chandelier assembly instructions

\*To be installed by licensed professional only.\*

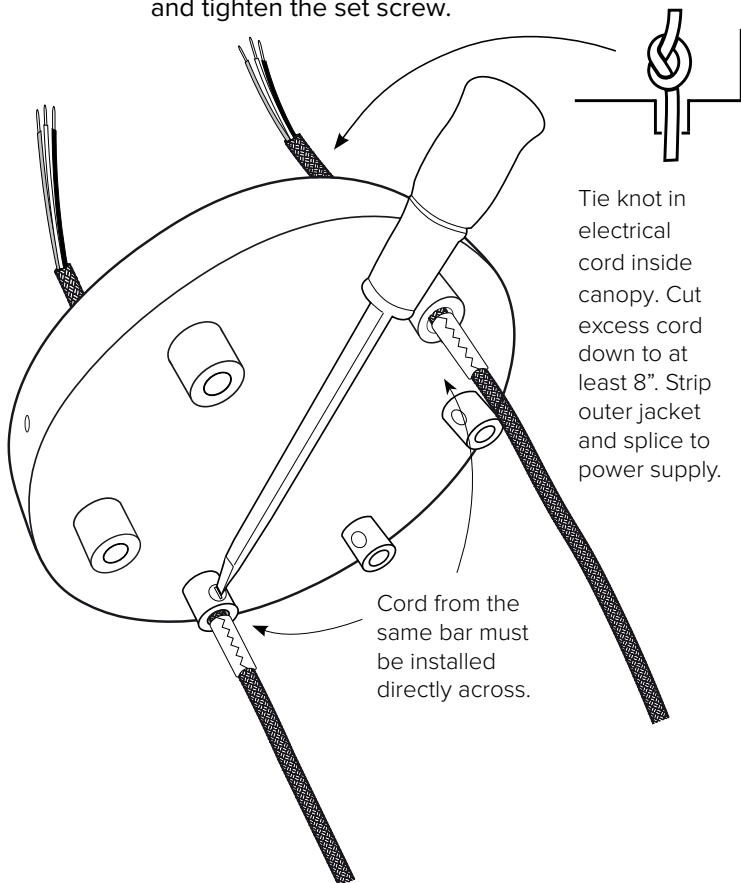


**STEP 1** Lay out the bar(s) on a flat horizontal surface to desired drop length & group the cords together.

**STEP 2** Make sure each opposing cord length is exactly the same or the fixture will not hang straight.



**STEP 3** Feed the cord through the canopy strain relief until the tape reaches the canopy and tighten the set screw.



**STEP 4** Remove the shade retainer and secondary washer from the end of all arms. Slide the glass shades over sockets. Secure the glass to the socket using supplied rubber washer between glass and retainer.

