

General Product Information

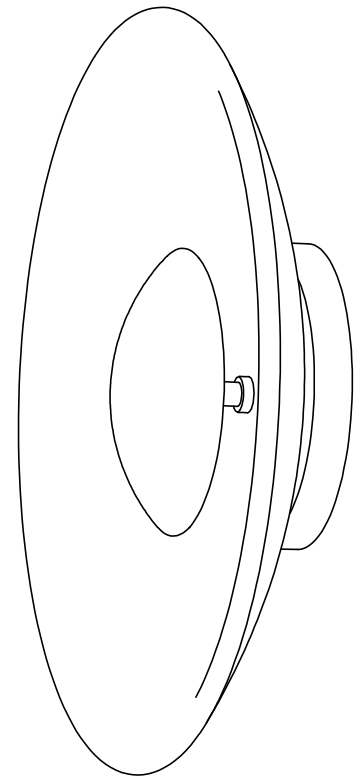
This product is for indoor dry and damp locations only.

Junction Box Requirements: This fixture can be mounted to most standard junction boxes. It is the installer's responsibility to ensure that the site conditions, junction box, and fasteners used are suitable to support the weight of the fixture.

Driver to be housed in the junction box, can be remote if necessary.

Dimming Notes: This fixture is 0-10V dimmable to 1% and dims to off. Do not connect driver AC input leads to phase dimmed AC source!

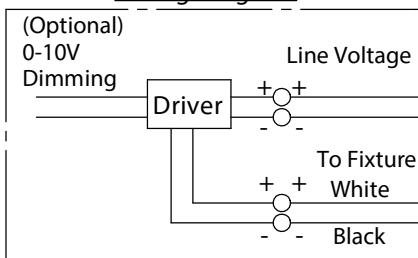
Damage due to incorrect connections can be detected at the factory and is not covered under warranty.



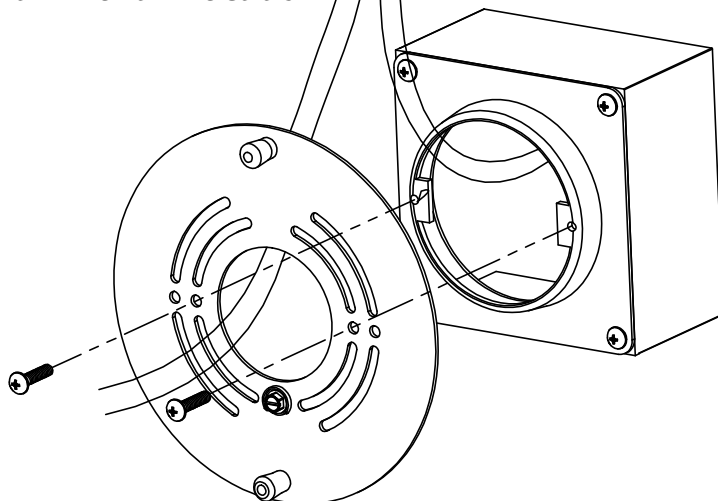
CAUTION - RISK OF FIRE

This product requires installation by a qualified electrician. Before installing be sure to read all instructions and TURN POWER OFF TO THE JUNCTION BOX

Wiring Diagram



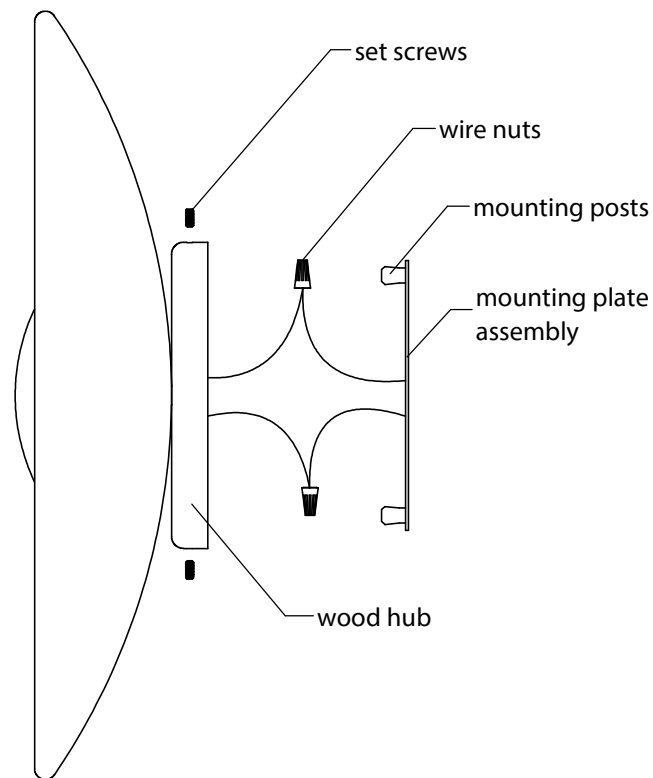
See Label on Driver for Wire Colors



Installing the Mounting Plate and Wiring the Fixture

- ① Make electrical connections between the driver input leads and line voltage wires. Keep the wire connections and driver in the junction box.
- ② Attach a suitable ground wire to the grounding screw on the mounting plate.
- ③ Attached the mounting plate to the junction box using the supplied 8-32 screws. Orient the plate so the stand-off are vertical, as shown in the image.
- ④ Pull the driver output leads through the center hole of the mounting plate.





Installing the Fixture

- ⑤ Connect the driver output wires to the fixture input wires with wire nuts and place all wires and connection in the junction box
- ⑥ Back out the set screws on the top and bottom of the wood hub so they are not protruding.
- ⑦ Slide the fixture onto the post protruding from the mounting plate until the wood hub is flush with the wall.
- ⑧ Tighten the two set screws in the top and bottom of the wood hub with a 5/64" hex key.

