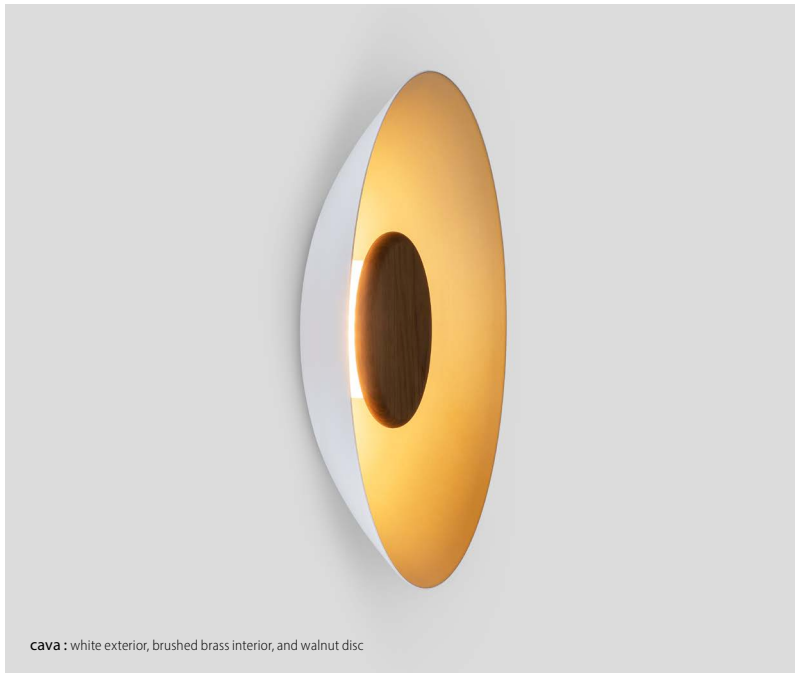


cerno®



DESIGNED AND MADE IN CALIFORNIA

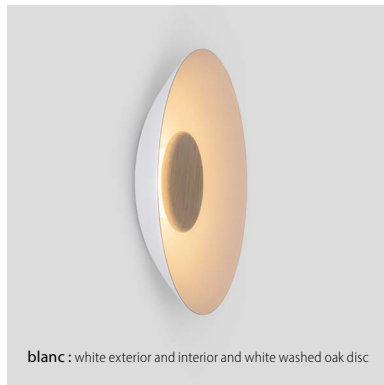
Volo 18 Sconce



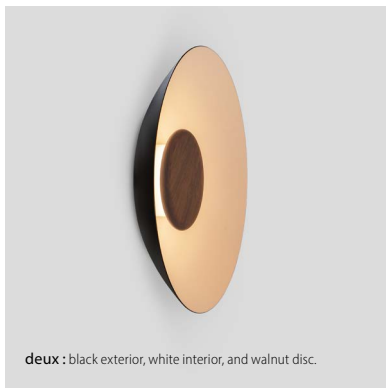
cava : white exterior, brushed brass interior, and walnut disc



noir : black exterior, brass interior, and dark stained walnut disc



blanc : white exterior and interior and white washed oak disc

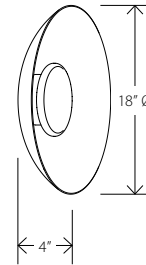


deux : black exterior, white interior, and walnut disc.



deux closeup

Volo 18 sconce



- Dimensions: 18" dia., 4"
- Product weight: 4 lb
- Light source: integrated LED
- Light output: 1885 Lumens (source)
- Output based on white shade interior
- Alternate finishes will reduce lumen output
- Light color: 2700 K, 3000 K, 3500 K, or 4000 K
- Color accuracy: 90+ CRI
- Power usage: 18 W
- Driver must be housed in J-box or remotely
- Driver dimensions: 3.38" x 1.63" x 1.08"
- Dimmable (see driver option)
- Wood grain will vary
- Specifications subject to change



MATERIAL AND FINISH OPTIONS

Volo 18 sconce part # 08-140-

Finish Options

- noir
- blanc
- cava
- deux

N
B
C
D

Lamping

- 2700 K LED
- 3000 K LED
- 3500 K LED
- 4000 K LED

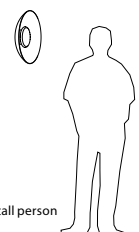
27
30
35
40

Driver Option

- AC Input Voltage Range: 120-277 V
- 120 V input: TRIAC, ELV & 0-10 V dimmable
- 240 & 277 V input: only 0-10 V dimmable

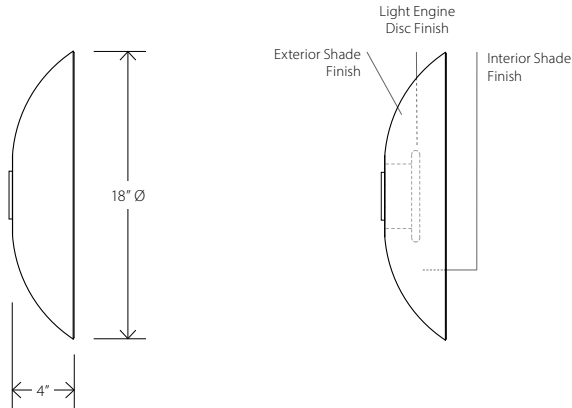
P1

The handcrafted Volo 18 sconce is a celebration of natural materials. The solid hardwood, brass finish, and aluminum showcase the purposeful design that went into each detail. The indirect LED light source emits light of beautiful quality.

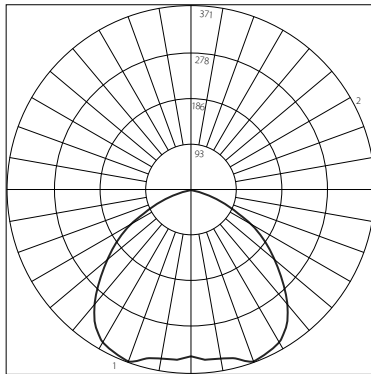


6' tall person

WARNING. California Proposition 65 Warning for California Consumers. This product can expose you to chemicals including wood dust and lead which are known to the State of California to cause cancer or birth defects or other reproductive harm. For more information go to www.P65Warnings.ca.gov



PHOTOMETRIC POLAR GRAPH



Maximum Candela = 371
Located at
Horizontal Angle = 80,
Vertical Angle = 20

TECHNICAL SPECIFICATIONS

- Light source: integrated LED
- Light output: 1885 Lumens (source)
- Output based on white shade interior
- Alternate finishes will reduce lumen output
- Light color: 2700 K, 3000 K, 3500 K, or 4000 K
- Color accuracy: 90+ CRI
- Input Voltage: 120-277 V AC
- Power usage: 18 W
- Driver location: must be housed in J-box or remotely
- Driver dimensions: 3.38" x 1.63" x 1.08"
- Dimmable (see driver option)
- Suitable for a sloped ceiling up to 45 degrees
- Specifications subject to change



Standard combinations on the previous page are stocked. Fixture specified by using the SKU builder below are subject to increased lead times and minimum order quantities.

MATERIAL AND FINISH OPTIONS

Volo 18 sconce part # 08-140-

Exterior Shade Finish

- textured black powder coat (CM-049)
- textured white powder coat (CM-060)
- brushed brass (CM-120)
- distressed brass (CM-117)

B
W
R
D

Interior Shade Finish

- textured white powder coat (CM-060)
- brushed brass (CM-120)
- distressed brass (CM-117)

W
R
D

Light Engine Disc Finish

- walnut (CM-001)
- dark stained walnut (CM-002)
- white washed oak (CM-095)

W
D
O

Lamping

- 2700 K LED
- 3000 K LED
- 3500 K LED
- 4000 K LED

27
30
35
40

Driver Option

- AC Input Voltage Range: 120-277 V
- 120 V input: TRIAC, ELV & 0-10 V dimmable
- 240 & 277 V input: only 0-10 V dimmable

P1

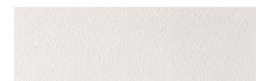
FINISHES



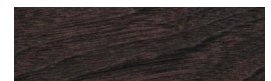
textured black powder coat (CM-049)



walnut (CM-001)



textured white powder coat (CM-060)



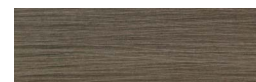
dark stained walnut (CM-002)



brushed brass (CM-120)



white washed oak (CM-095)



distressed brass (CM-117)

▲WARNING. California Proposition 65 Warning for California Consumers. This product can expose you to chemicals including wood dust and lead which are known to the State of California to cause cancer or birth defects or other reproductive harm. For more information go to www.P65Warnings.ca.gov