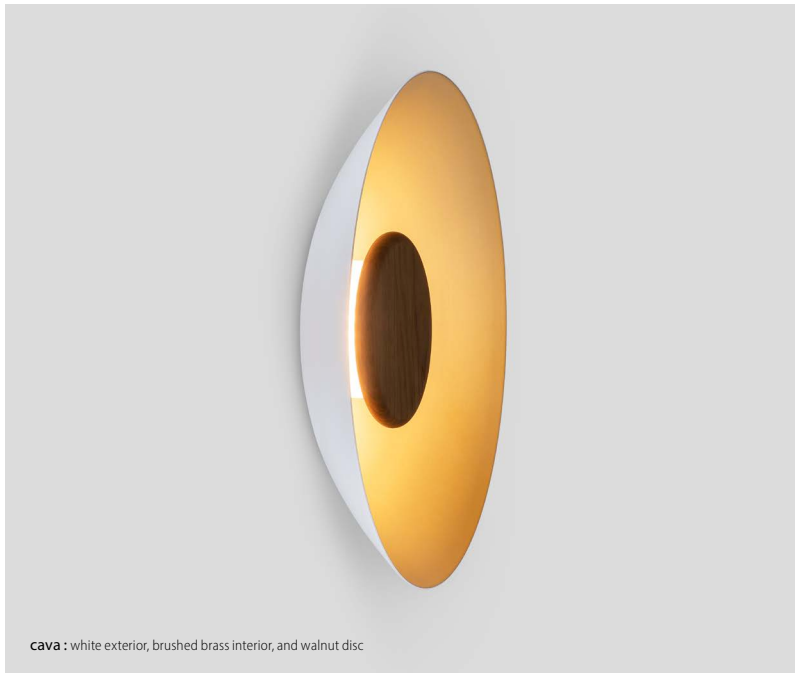


cerno®

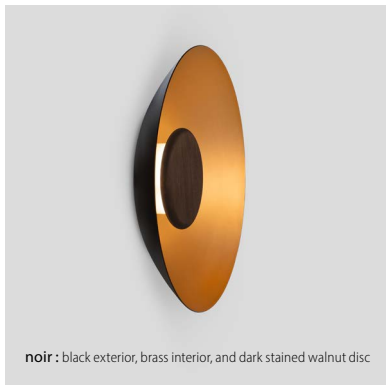


DESIGNED AND MADE IN CALIFORNIA

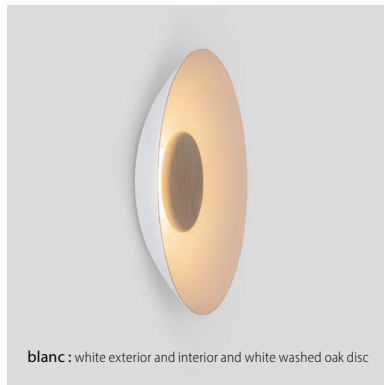
Volo 18 Sconce



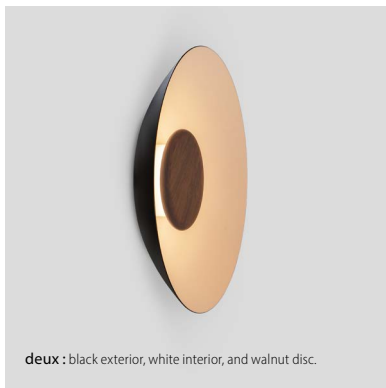
**cava** : white exterior, brushed brass interior, and walnut disc



**noir** : black exterior, brass interior, and dark stained walnut disc



**blanc** : white exterior and interior and white washed oak disc



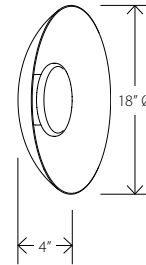
**deux** : black exterior, white interior, and walnut disc.



**deux** closeup

## Volo 18 sconce

part of the Volo collection



Dimensions: 18" dia., 4"

Product weight: 4 lb

Light source: integrated LED

Light output: 1885 Lumens (source)

Output based on white shade interior

Alternate finishes will reduce lumen output

Light color: 2700 K, 3000 K, 3500 K, or 4000 K

Color accuracy: 90+ CRI

Power usage: 18 W

Driver must be housed in J-box or remotely

Driver dimensions: 3.38" x 1.63" x 1.08"

Dimmable (see driver option)

Wood grain will vary

Specifications subject to change



### MATERIAL AND FINISH OPTIONS

Volo 18 sconce part # 08-140-

#### Finish Options

noir  
blanc  
cava  
deux

N  
B  
C  
D

#### Lamping

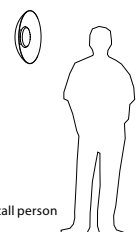
2700 K LED  
3000 K LED  
3500 K LED  
4000 K LED

27  
30  
35  
40

#### Driver Option

AC Input Voltage Range: 120-277 V  
120 V input: TRIAC, ELV & 0-10 V dimmable  
240 & 277 V input: only 0-10 V dimmable

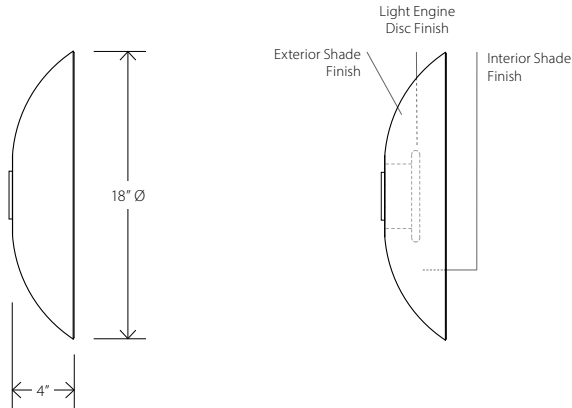
P1



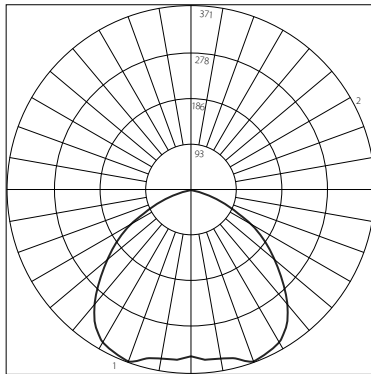
6' tall person

The handcrafted Volo 18 sconce is a celebration of natural materials. The solid hardwood, brass finish, and aluminum showcase the purposeful design that went into each detail. The indirect LED light source emits light of beautiful quality.

**WARNING.** California Proposition 65 Warning for California Consumers. This product can expose you to chemicals including wood dust and lead which are known to the State of California to cause cancer or birth defects or other reproductive harm. For more information go to [www.P65Warnings.ca.gov](http://www.P65Warnings.ca.gov)



## PHOTOMETRIC POLAR GRAPH



Maximum Candela = 371  
Located at  
Horizontal Angle = 80,  
Vertical Angle = 20

## TECHNICAL SPECIFICATIONS

- Light source: integrated LED
- Light output: 1885 Lumens (source)
- Output based on white shade interior
- Alternate finishes will reduce lumen output
- Light color: 2700 K, 3000 K, 3500 K, or 4000 K
- Color accuracy: 90+ CRI
- Input Voltage: 120-277 V AC
- Power usage: 18 W
- Driver location: must be housed in J-box or remotely
- Driver dimensions: 3.38" x 1.63" x 1.08"
- Dimmable (see driver option)
- Suitable for a sloped ceiling up to 45 degrees
- Specifications subject to change



Standard combinations on the previous page are stocked. Fixture specified by using the SKU builder below are subject to increased lead times and minimum order quantities.

## MATERIAL AND FINISH OPTIONS

Volo 18 sconce part # 08-140-

### Exterior Shade Finish

- textured black powder coat (CM-049)
- textured white powder coat (CM-060)
- brushed brass (CM-120)
- distressed brass (CM-117)

B  
W  
R  
D

### Interior Shade Finish

- textured white powder coat (CM-060)
- brushed brass (CM-120)
- distressed brass (CM-117)

W  
R  
D

### Light Engine Disc Finish

- walnut (CM-001)
- dark stained walnut (CM-002)
- white washed oak (CM-095)

W  
D  
O

### Lamping

- 2700 K LED
- 3000 K LED
- 3500 K LED
- 4000 K LED

27  
30  
35  
40

### Driver Option

- AC Input Voltage Range: 120-277 V
- 120 V input: TRIAC, ELV & 0-10 V dimmable
- 240 & 277 V input: only 0-10 V dimmable

P1

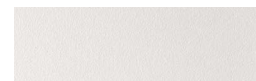
## FINISHES



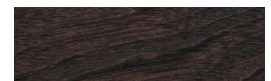
textured black powder coat (CM-049)



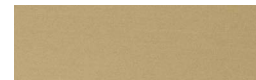
walnut (CM-001)



textured white powder coat (CM-060)



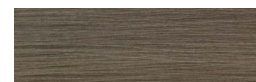
dark stained walnut (CM-002)



brushed brass (CM-120)



white washed oak (CM-095)



distressed brass (CM-117)

**WARNING.** California Proposition 65 Warning for California Consumers. This product can expose you to chemicals including wood dust and lead which are known to the State of California to cause cancer or birth defects or other reproductive harm. For more information go to [www.P65Warnings.ca.gov](http://www.P65Warnings.ca.gov)