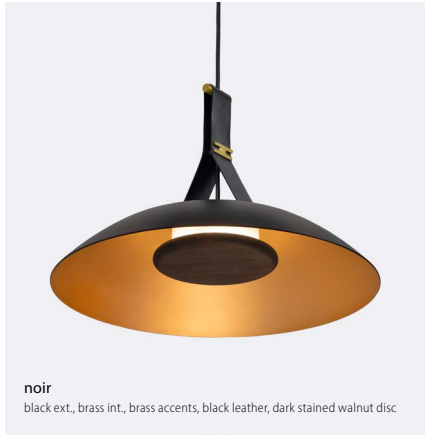


cerno®



DESIGNED AND MADE IN CALIFORNIA

Volo 18 Pendant



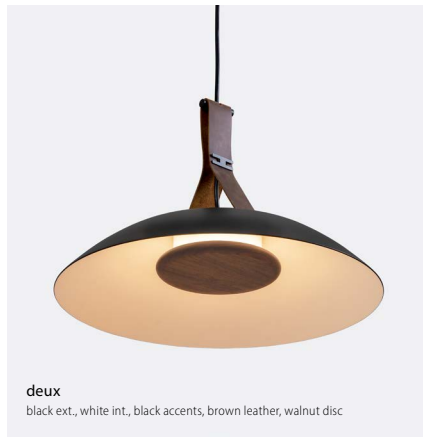
noir
black ext., brass int., brass accents, black leather, dark stained walnut disc



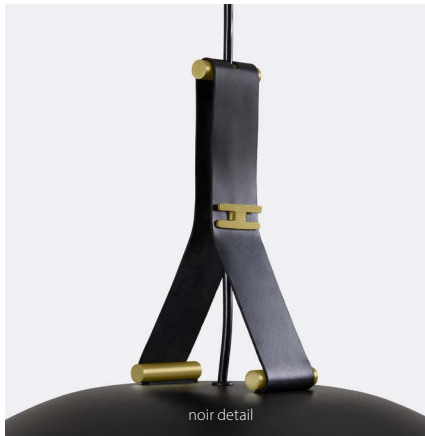
blanc
white ext. & int., brass accents, tan leather, white washed oak disc



cava
white ext., brushed brass int. brass accents, brown leather, walnut disc



deux
black ext., white int., black accents, brown leather, walnut disc

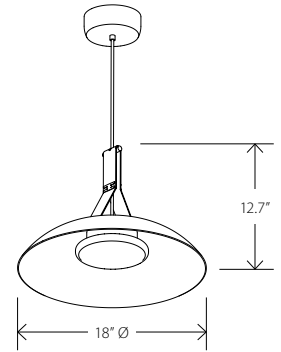


noir detail



blanc detail

Volo 18 pendant



- Dimensions: 18" dia, 12.7"
- Product weight: 4 lb
- Light source: integrated LED
- Light output: 1885 Lumens (source)
- Output based on white shade interior
- Alternate finishes will reduce lumen output
- Light color: 2700 K, 3000 K, 3500 K, or 4000 K
- Color accuracy: 90+ CRI
- Power usage: 18 W
- Driver can be housed inside canopy
- Driver dimensions: 3.38" x 1.63" x 1.08"
- Dimmable (see driver option)
- Wood grain will vary
- Specifications subject to change



MATERIAL AND FINISH OPTIONS

Volo 18 pendant part # 06-360-

Finish Options

- noir
- blanc
- cava
- deux

N
B
C
D

Lamping

- 2700 K LED
- 3000 K LED
- 3500 K LED
- 4000 K LED

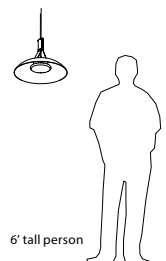
27
30
35
40

Driver Option

- AC Input Voltage Range: 120-277 V
- 120 V input: TRIAC, ELV & 0-10 V dimmable
- 240 & 277 V input: only 0-10 V dimmable

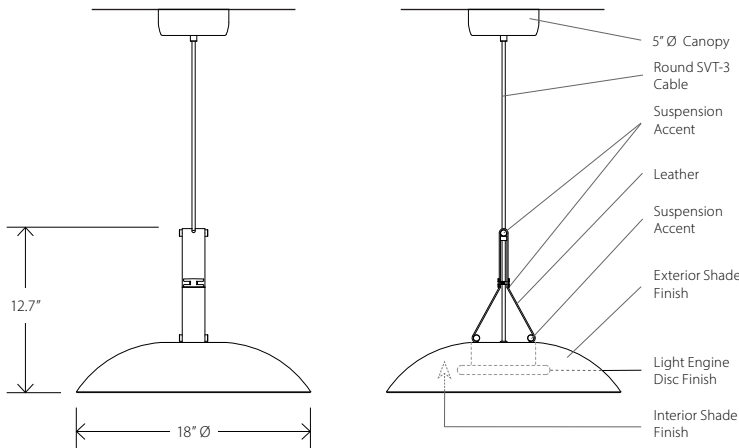
P1

The handcrafted Volo 18 pendant is a celebration of natural materials. The solid hardwood, brass finish, leather, and aluminum showcase the purposeful design that went into each detail. The indirect LED light source emits light of beautiful quality.



6' tall person

⚠ WARNING. California Proposition 65 Warning for California Consumers. This product can expose you to chemicals including wood dust and lead which are known to the State of California to cause cancer or birth defects or other reproductive harm. For more information go to www.P65Warnings.ca.gov



Standard combinations on the previous page are stocked. Fixture specified by using the SKU builder below are subject to increased lead times and minimum order quantities.

MATERIAL AND FINISH OPTIONS

Volo 18 pendant part # 06-360-

Exterior Shade Finish

- textured black powder coat (CM-049)
- textured white powder coat (CM-060)
- brushed brass (CM-120)
- distressed brass (CM-117)

Interior Shade Finish

- textured white powder coat (CM-060)
- brushed brass (CM-120)
- distressed brass (CM-117)

Suspension Accent Finish

- textured black powder coat (CM-049)
- textured white powder coat (CM-060)
- brushed brass (CM-120)

Leather Finish

- brown leather (CM-098)
- black leather (CM-127)
- tan leather (CM-128)

Light Engine Disc Finish

- walnut (CM-001)
- dark stained walnut (CM-002)
- white washed oak (CM-095)

Lamping

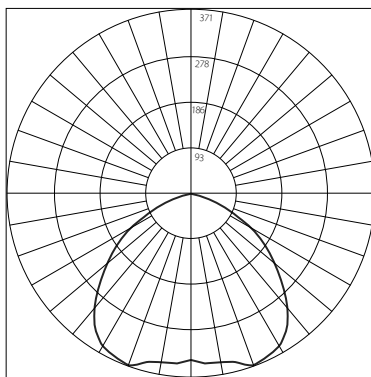
- 2700 K LED
- 3000 K LED
- 3500 K LED
- 4000 K LED

Driver Option

- AC Input Voltage Range: 120-277 V
- 120 V input: TRIAC, ELV & 0-10 V dimmable
- 240 & 277 V input: only 0-10 V dimmable

B	
W	
R	
D	
W	
R	
D	
B	
W	
R	
R	
B	
T	
W	
D	
O	
27	
30	
35	
40	
P1	

PHOTOMETRIC POLAR GRAPH



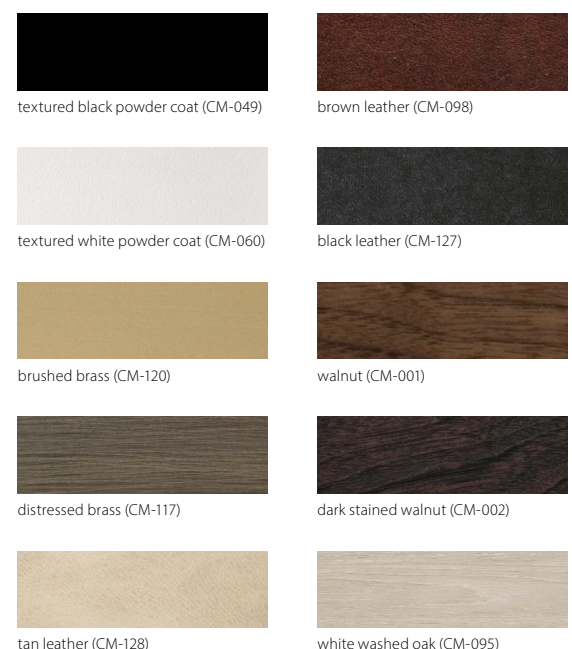
Maximum Candela = 371
 Located at
 Horizontal Angle = 80,
 Vertical Angle = 20

TECHNICAL SPECIFICATIONS

- Light source: integrated LED
- Light output: 1885 Lumens (source)
- Output based on white shade interior
- Alternate finishes will reduce lumen output
- Light color: 2700 K, 3000 K, 3500 K, or 4000 K
- Color accuracy: 90+ CRI
- Input Voltage: 120-277 V AC
- Power usage: 18 W
- Driver location: can be housed inside canopy
- Driver dimensions: 3.38" x 1.63" x 1.08"
- Dimmable (see driver option)
- Round canopy with SVT-3 Cable
- Canopy dimensions*: 5.4" Ø, 2"
- * Low profile canopy is available upon request and requires driver to be housed in j-box or remotely
- Field adjustable drop length: 0'6" min - 8'0" max
- White canopy and cord for fixtures with white shade exterior
- Black canopy and cord for all other finishes
- Suitable for a sloped ceiling up to 45 degrees
- Specifications subject to change



FINISHES



⚠ WARNING. California Proposition 65 Warning for California Consumers. This product can expose you to chemicals including wood dust and lead which are known to the State of California to cause cancer or birth defects or other reproductive harm. For more information go to www.P65Warnings.ca.gov