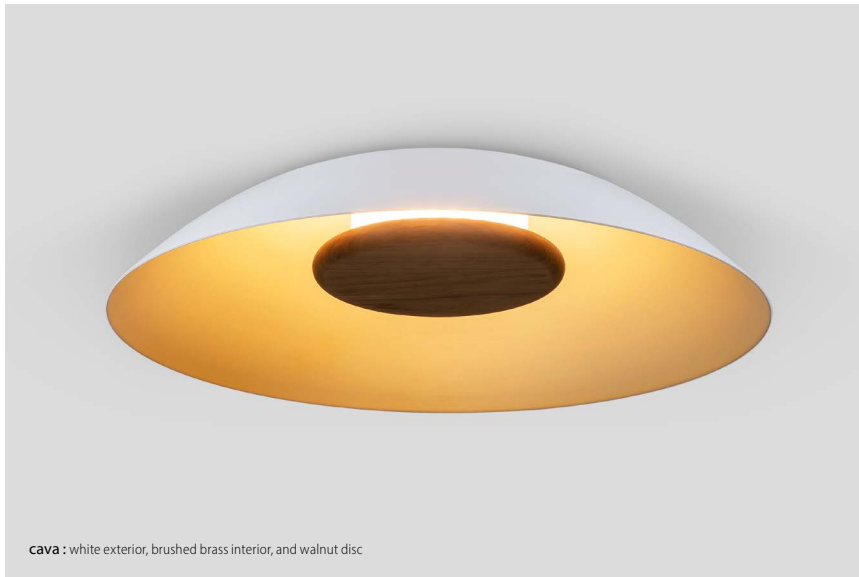


cerno®



DESIGNED AND MADE IN CALIFORNIA

Volo 18 Flush Mount



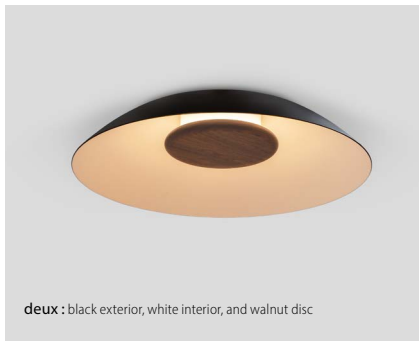
**cava** : white exterior, brushed brass interior, and walnut disc



**noir** : black exterior, brass interior, and dark stained walnut disc



**blanc** : white exterior and interior and white washed oak disc

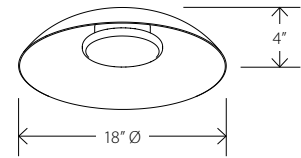


**deux** : black exterior, white interior, and walnut disc



**deux** closeup

**Volo 18** flush mount  
part of the Volo collection



Dimensions: 18" dia., 4"  
 Product weight: 4 lb  
 Light source: integrated LED  
 Light output: 1885 Lumens (source)  
 Output based on white shade interior  
 Alternate finishes will reduce lumen output  
 Light color: 2700 K, 3000 K, 3500 K, or 4000 K  
 Color accuracy: 90+ CRI  
 Power usage: 18 W  
 Driver must be housed in J-box or remotely  
 Driver dimensions: 3.38" x 1.63" x 1.08"  
 Dimmable (see driver option)  
 Wood grain will vary  
 Specifications subject to change



**MATERIAL AND FINISH OPTIONS**

Volo 18 flush mount part # 08-140-

**Finish Options**

- noir
- blanc
- cava
- deux

N  
B  
C  
D

**Lamping**

- 2700 K LED
- 3000 K LED
- 3500 K LED
- 4000 K LED

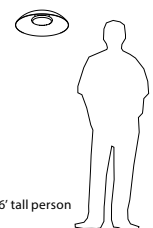
27  
30  
35  
40

**Driver Option**

AC Input Voltage Range: 120-277 V  
 120 V input: TRIAC, ELV & 0-10 V dimmable  
 240 & 277 V input: only 0-10 V dimmable

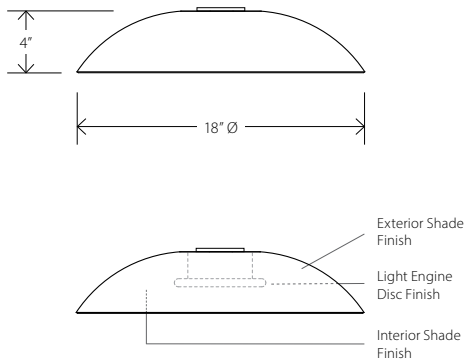
P1

The handcrafted Volo 18 flush mount is a celebration of natural materials. The solid hardwood, brass finish, and aluminum showcase the purposeful design that went into each detail. The indirect LED light source emits light of beautiful quality.



6' tall person

**WARNING.** California Proposition 65 Warning for California Consumers. This product can expose you to chemicals including wood dust and lead which are known to the State of California to cause cancer or birth defects or other reproductive harm. For more information go to [www.P65Warnings.ca.gov](http://www.P65Warnings.ca.gov)



Standard combinations on the previous page are stocked. Fixture specified by using the SKU builder below are subject to increased lead times and minimum order quantities.

## MATERIAL AND FINISH OPTIONS

Volo 18 flush mount part # 08-140-

### Exterior Shade Finish

- textured black powder coat (CM-049)
- textured white powder coat (CM-060)
- brushed brass (CM-120)
- distressed brass (CM-117)

### Interior Shade Finish

- textured white powder coat (CM-060)
- brushed brass (CM-120)
- distressed brass (CM-117)

### Light Engine Disc Finish

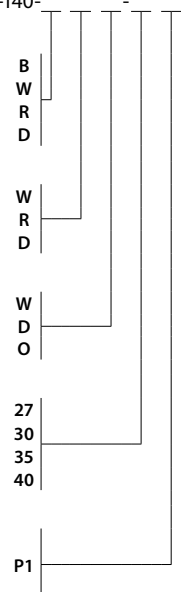
- walnut (CM-001)
- dark stained walnut (CM-002)
- white washed oak (CM-095)

### Lamping

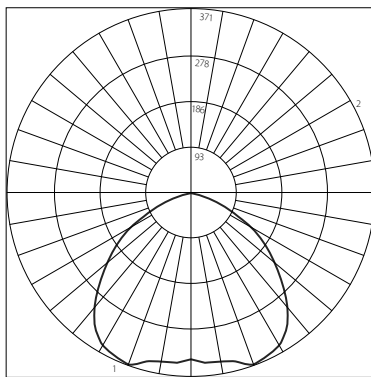
- 2700 K LED
- 3000 K LED
- 3500 K LED
- 4000 K LED

### Driver Option

- AC Input Voltage Range: 120-277 V
- 120 V input: TRIAC, ELV & 0-10 V dimmable
- 240 & 277 V input: only 0-10 V dimmable



## PHOTOMETRIC POLAR GRAPH



Maximum Candela = 371  
 Located at  
 Horizontal Angle = 80,  
 Vertical Angle = 20

## TECHNICAL SPECIFICATIONS

- Light source: integrated LED
- Light output: 1885 Lumens (source)
- Output based on white shade interior
- Alternate finishes will reduce lumen output
- Light color: 2700 K, 3000 K, 3500 K, or 4000 K
- Color accuracy: 90+ CRI
- Input Voltage: 120-277 V AC
- Power usage: 18 W
- Driver location: must be housed in J-box or remotely
- Driver dimensions: 3.38" x 1.63" x 1.08"
- Dimmable (see driver option)
- Suitable for a sloped ceiling up to 45 degrees
- Specifications subject to change



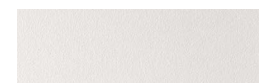
## FINISHES



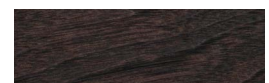
textured black powder coat (CM-049)



walnut (CM-001)



textured white powder coat (CM-060)



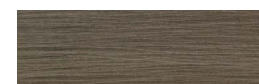
dark stained walnut (CM-002)



brushed brass (CM-120)



white washed oak (CM-095)



distressed brass (CM-117)

**WARNING.** California Proposition 65 Warning for California Consumers. This product can expose you to chemicals including wood dust and lead which are known to the State of California to cause cancer or birth defects or other reproductive harm. For more information go to [www.P65Warnings.ca.gov](http://www.P65Warnings.ca.gov)