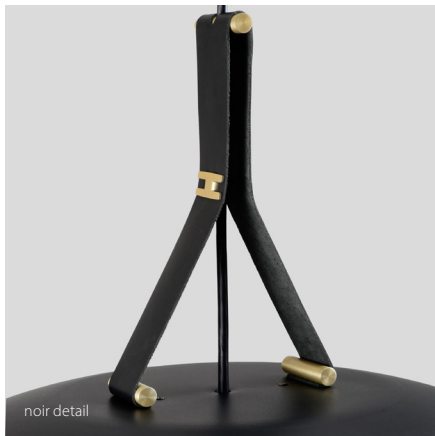
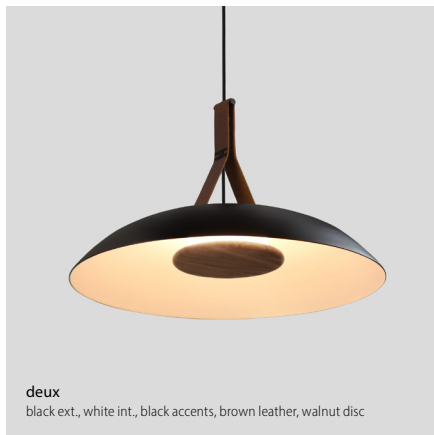
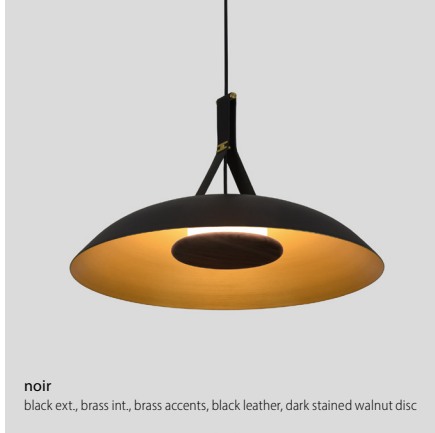


cerno®

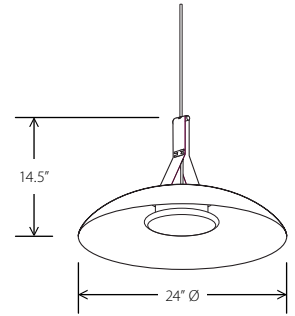


DESIGNED AND MADE IN CALIFORNIA

Volo Pendant



Volo pendant



Dimensions: 24" dia., 14.5"
 Product weight: 7 lb
 Light source: integrated LED
 Light output: 2625 Lumens (source)
 Output based on white shade interior
 Alternate finishes will reduce lumen output
 Light color: 2700 K, 3000 K, 3500 K, or 4000 K
 Color accuracy: 90+ CRI
 Power usage: 26 W
 Driver can be housed inside canopy
 Driver dimensions: 3.38" x 1.63" x 1.08"
 Dimmable (see driver option)
 Wood grain will vary
 Specifications subject to change



MATERIAL AND FINISH OPTIONS

Volo pendant part # 06-300- -

Finish Options

- noir
- blanc
- cava
- deux

- N
- B
- C
- D

Lamping

- 2700 K LED
- 3000 K LED
- 3500 K LED
- 4000 K LED

- 27
- 30
- 35
- 40

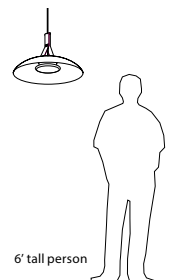
Driver Option

AC Input Voltage Range: 120-277 V
 120 V input: TRIAC, ELV & 0-10 V dimmable
 240 & 277 V input: only 0-10 V dimmable

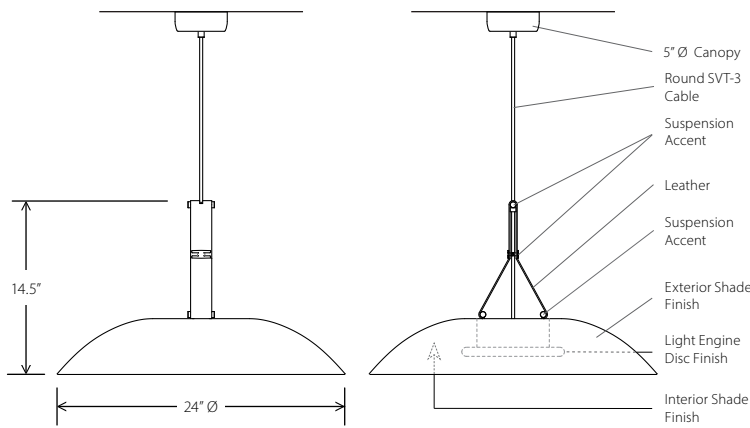
P1

The handcrafted Volo pendant is a celebration of natural materials. The solid hardwood, brass finish, leather, and aluminum showcase the purposeful design that went into each detail. The indirect LED light source emits light of beautiful quality.

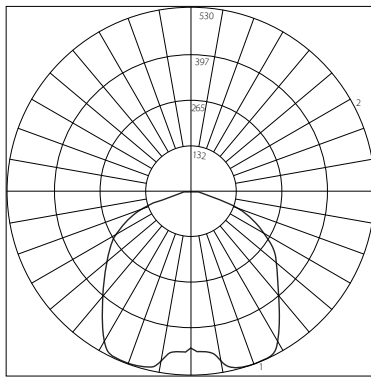
For expanded offering see Specification Sheet.



▲WARNING. California Proposition 65 Warning for California Consumers. This product can expose you to chemicals including wood dust and lead which are known to the State of California to cause cancer or birth defects or other reproductive harm. For more information go to www.P65Warnings.ca.gov



PHOTOMETRIC POLAR GRAPH



Standard combinations on the previous page are stocked. Fixture specified by using the SKU builder below are subject to increased lead times and minimum order quantities.

Volo pendant part # 06-300-

Exterior Shade Finish

- textured black powder coat (CM-049)
- textured white powder coat (CM-060)
- brushed brass (CM-120)
- distressed brass (CM-117)

Interior Shade Finish

- textured white powder coat (CM-060)
- brushed brass (CM-120)
- distressed brass (CM-117)

Suspension Accent Finish

- textured black powder coat (CM-049)
- textured white powder coat (CM-060)
- brushed brass (CM-120)

Leather Finish

- brown leather (CM-098)
- black leather (CM-127)
- tan leather (CM-128)

Light Engine Disc Finish

- walnut (CM-001)
- dark stained walnut (CM-002)
- white washed oak (CM-095)

Lamping

- 2700 K LED
- 3000 K LED
- 3500 K LED
- 4000 K LED

Driver Option

- AC Input Voltage Range: 120-277 V
- 120 V input: TRIAC, ELV & 0-10 V dimmable
- 240 & 277 V input: only 0-10 V dimmable

B	
W	
R	
D	
W	
R	
D	
B	
W	
R	
R	
B	
T	
W	
D	
O	
27	
30	
35	
40	
P1	

TECHNICAL SPECIFICATIONS

- Light source: integrated LED
- Light output: 2625 Lumens (source)
- Output based on white shade interior
- Alternate finishes will reduce lumen output
- Light color: 2700 K, 3000 K, 3500 K, or 4000 K
- Color accuracy: 90+ CRI
- Power usage: 26 W
- Driver location: must be housed in J-box
- Driver dimensions: 3.38" x 1.63" x 1.08"
- Dimmable (see driver option)
- Round canopy with SVT-3 Cable
- Canopy dimensions*: 5.4" Ø, 2"
- * Low profile canopy is available upon request and requires driver to be housed in j-box or remotely
- Field adjustable drop length: 0'6" min - 8'0" max
- White canopy and cord for fixtures with white shade exterior
- Black canopy and cord for all other finishes
- Suitable for a sloped ceiling up to 45 degrees
- Specifications subject to change



FINISHES



▲ WARNING. California Proposition 65 Warning for California Consumers. This product can expose you to chemicals including wood dust and lead which are known to the State of California to cause cancer or birth defects or other reproductive harm. For more information go to www.P65Warnings.ca.gov