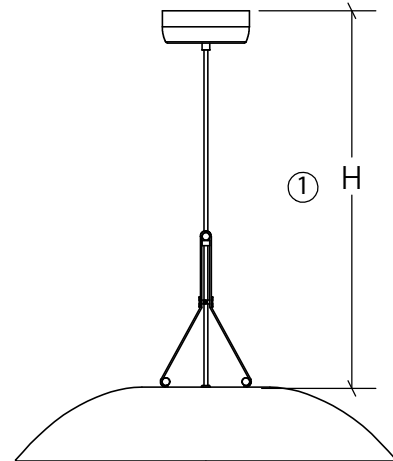
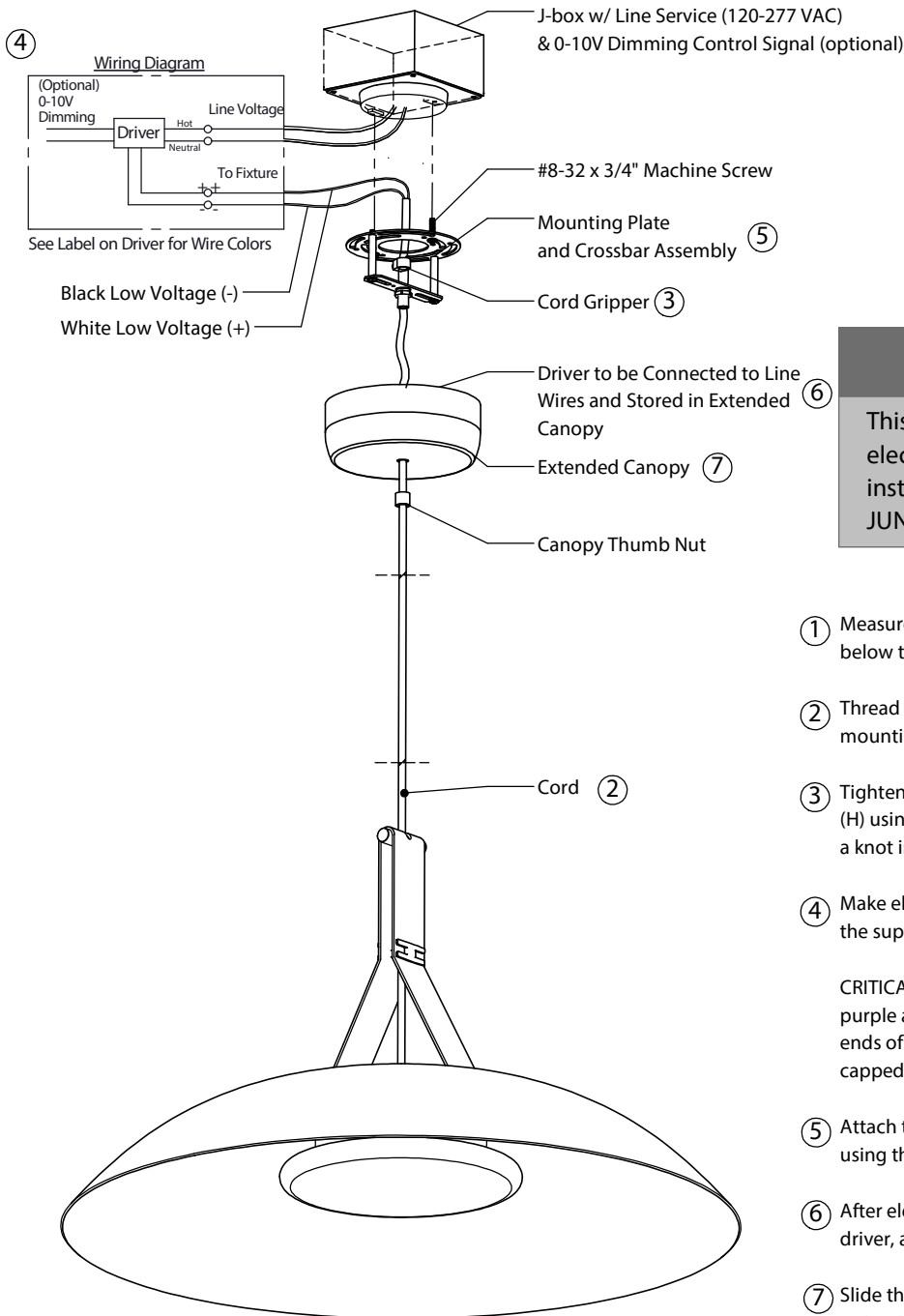


General Product Information

This product is suitable for indoor dry and damp locations only.

This product is to be installed to a standard 4" junction box with 3" round plaster ring or an octagon junction box.

Fixture can be dimmed with TRIAC, ELV, or 0-10V dimming at 120VAC input. For 240 or 277 VAC input, fixture is only dimmable with 0-10V dimming.



CAUTION - RISK OF FIRE

This product requires installation by a qualified electrician. Before installing be sure to read all instructions and **TURN POWER OFF TO THE JUNCTION BOX**

- ① Measure the desired height (H) that you want the fixture to hang below the ceiling.
 - ② Thread the cord through the canopy thumb nut, extended canopy, mounting plate and crossbar assembly, and cord gripper.
 - ③ Tighten the set screw on the cord gripper onto cable at desired height (H) using a small flathead screw driver. As an added safety measure, tie a knot in the cable above the cord gripper.
 - ④ Make electrical connections as shown in the image to the left using the supplied wire nuts.
- CRITICAL NOTE: If 0-10V dimming control is to be used, connect purple and pink driver leads to 0-10V dimmer. Otherwise, the tinned ends of these leads should be snipped off and the leads should be capped individually such that they remain isolated from one another.
- ⑤ Attach the mounting plate and crossbar assembly to the junction box using the supplied #8-32 screws.
 - ⑥ After electrical connections have been made, place wire connections, driver, and excess wire into the extended canopy.
 - ⑦ Slide the canopy up the cable and secure it by screwing the thumb nut onto the crossbar assembly.

