

cerno®



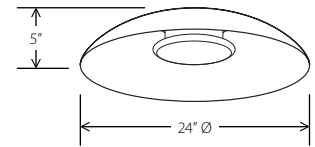
DESIGNED AND MADE IN CALIFORNIA

Volo Flush Mount



noir under view

Volo flush mount
part of the Volo collection



Dimensions: 24" dia., 5"
 Product weight: 7 lb
 Light source: integrated LED
 Light output: 2625 Lumens (source)
 Output based on white shade interior
 Alternate finishes will reduce lumen output
 Light color: 2700 K, 3000 K, 3500 K, or 4000 K
 Color accuracy: 90+ CRI
 Power usage: 26 W
 Driver location: must be housed in J-box
 Driver dimensions: 3.38" x 1.63" x 1.08"
 Dimmable (see driver option)
 Wood grain will vary
 Specifications subject to change



MATERIAL & FINISH OPTIONS

Volo flush mount part # 08-120-

Finish Options

noir	N
blanc	B
cava	C
deux	D

Lamping

2700 K LED	27
3000 K LED	30
3500 K LED	35
4000 K LED	40

Driver Option

AC Input Voltage Range: 120-277 V 120 V input: TRIAC, ELV & 0-10 V dimmable 240 & 277 V input: only 0-10 V dimmable	P1
---	----

For expanded offering see Specification Sheet.



noir
black exterior, brass interior, brass metal accents, black leather, and dark stained walnut disc



blanc
white exterior and interior, brass metal accents, tan leather, and white washed oak disc

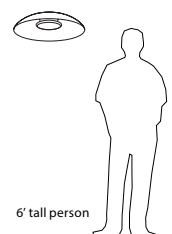


cava
white exterior, brushed brass interior, brass metal accents, brown leather, and walnut disc



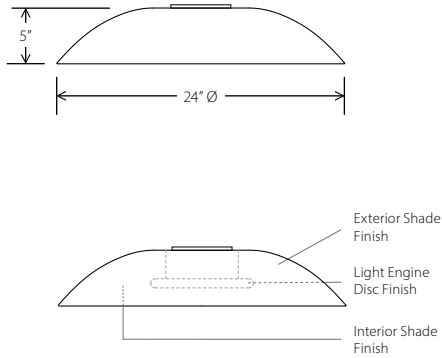
deux
black exterior, white interior, black metal accents, brown leather, and walnut disc

The handcrafted Volo flush mount is a celebration of natural materials. The solid hardwood, brass finish, and aluminum showcase the purposeful design that went into each detail. The indirect LED light source emits light of beautiful quality



6' tall person

▲WARNING. California Proposition 65 Warning for California Consumers. This product can expose you to chemicals including wood dust and lead which are known to the State of California to cause cancer or birth defects or other reproductive harm. For more information go to www.P65Warnings.ca.gov



Standard combinations on the previous page are stocked. Fixture specified by using the SKU builder below are subject to increased lead times and minimum order quantities.

Volo flush mount part # 08-120-

Exterior Shade Finish

- textured black powder coat (CM-049)
- textured white powder coat (CM-060)
- brushed brass (CM-120)
- distressed brass (CM-117)

Interior Shade Finish

- textured white powder coat (CM-060)
- brushed brass (CM-120)
- distressed brass (CM-117)

Light Engine Disc Finish

- walnut (CM-001)
- dark stained walnut (CM-002)
- white washed oak (CM-095)

Lamping

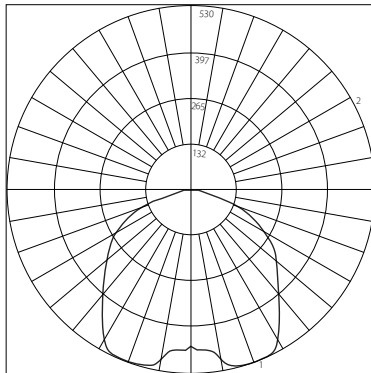
- 2700 K LED
- 3000 K LED
- 3500 K LED
- 4000 K LED

Driver Option

- AC Input Voltage Range: 120-277 V
- 120 V Input: TRIAC, ELV & 0-10 V dimmable
- 240 & 277 V input: only 0-10 V dimmable

B	
W	
R	
D	
W	
R	
D	
W	
D	
O	
27	
30	
35	
40	
P1	

PHOTOMETRIC POLAR GRAPH



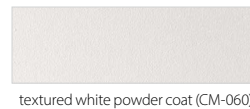
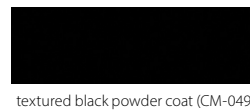
Maximum Candela = 530
 Located at
 Horizontal Angle = 0,
 Vertical Angle = 24

TECHNICAL SPECIFICATIONS

- Light source: integrated LED
- Light output: 2625 Lumens (source)
- Output based on white shade interior
- Alternate finishes will reduce lumen output
- Light color: 2700 K, 3000 K, 3500 K, or 4000 K
- Color accuracy: 90+ CRI
- Power usage: 26 W
- Driver location: must be housed in J-box
- Driver dimensions: 3.38" x 1.63" x 1.08"
- Dimmable (see driver option)
- Suitable for a sloped ceiling up to 45 degrees
- Specifications subject to change



FINISHES



WARNING. California Proposition 65 Warning for California Consumers. This product can expose you to chemicals including wood dust and lead which are known to the State of California to cause cancer or birth defects or other reproductive harm. For more information go to www.P65Warnings.ca.gov