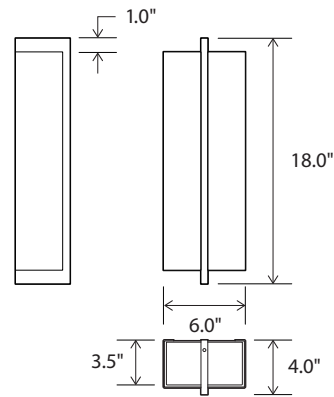




Via sconce or ceiling flush mount



Dimensions: 18" x 6" x 4"
 Materials: solid wood, polymer
 Product weight: 2 lb
 Integrated LED Specifications
 Light output: 500 Lumens (source)
 Light color*: 2700 K or 3500 K
 Color accuracy: 90+ CRI
 Power usage: 7 W
 Dimmable (see driver below)
 Input voltage: 24 V DC (driver included)
 Driver location: must be housed in J-box
 Driver dimensions: 3" x 1.5" x 1"
 Mounting: ceiling or wall



Candelabra Base Specifications

Lamping: 2x candelabra E12 base sockets,
 10 W max each (bulbs not included)
 Select bulbs can achieve over 500 lumens each
 Input voltage: 120 V AC max
 Mounting: wall only



MATERIAL & FINISH OPTIONS

Wood Body

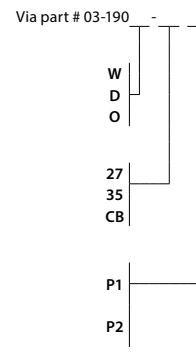
walnut (CM-001)
 dark stained walnut (CM-002)
 white washed oak (CM-095)

Lamping*

2700 K LED
 3500 K LED
 Candelabra base E12 socket

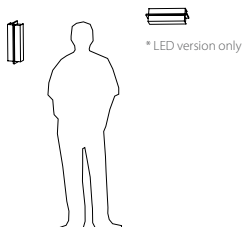
Driver (LED version only)

120 V AC input voltage
 TRIAC, ELV & 0-10 V dimming
 277 V AC input voltage
 TRIAC, ELV & 0-10 V dimming



The Via has an understated geometry with sophisticated detailing and proportion. The substantial glowing volume of the Via is punctuated by a thin plane of rich American walnut striking a balance and harmony.

Nick Sheridan,
 Designer



Includes: frosted polymer (CM-051)

Inquire about other input voltages

*Available in 3000K, 4000K and other color temperatures upon request

Emergency backup option available upon request