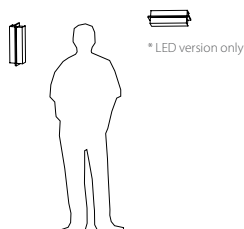
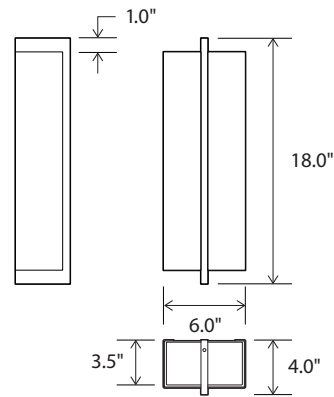


The Via has an understated geometry with sophisticated detailing and proportion. The substantial glowing volume of the Via is punctuated by a thin plane of rich American walnut striking a balance and harmony.

Nick Sheridan,  
Designer



## Via sconce or ceiling flush mount



Dimensions: 18" x 6" x 4"  
 Materials: solid wood, polymer  
 Product weight: 2 lb  
 Integrated LED Specifications  
 Light output: 500 Lumens (source)  
 Light color\*: 2700 K or 3500 K  
 Color accuracy: 90+ CRI  
 Power usage: 7 W  
 Dimmable (see driver below)  
 Input voltage: 24 V DC (driver included)  
 Driver location: must be housed in J-box  
 Driver dimensions: 3" x 1.5" x 1"  
 Mounting: ceiling or wall

### Candelabra Base Specifications

Lamping: 2x candelabra E12 base sockets,  
 10 W max each (bulbs not included)  
 Select bulbs can achieve over 500 lumens each  
 Input voltage: 120 V AC max  
 Mounting: wall only



### MATERIAL & FINISH OPTIONS

#### Wood Body

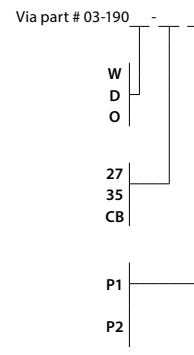
walnut (CM-001)  
 dark stained walnut (CM-002)  
 white washed oak (CM-095)

#### Lamping\*

2700 K LED  
 3500 K LED  
 Candelabra base E12 socket

#### Driver (LED version only)

120 V AC input voltage  
 TRIAC, ELV & 0-10 V dimming  
 277 V AC input voltage  
 TRIAC, ELV & 0-10 V dimming



**Includes:** frosted polymer (CM-051)

Inquire about other input voltages

\*Available in 3000K, 4000K and other color temperatures upon request

Emergency backup option available upon request