



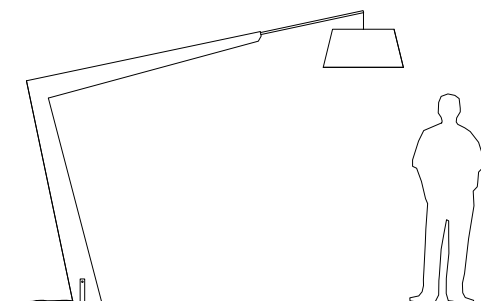
dark stained walnut



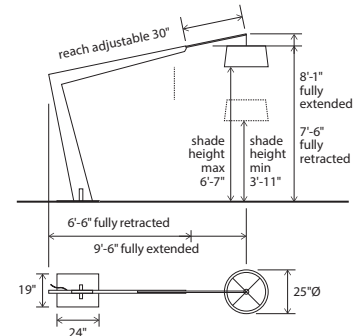
walnut

When reaching such a distance with a fixture, it is important that it feels visually efficient in its form but is still far from fragile, inviting one to linger under it. The adjustability in the reach and the height of the shade make it possible to custom fit the piece to its surroundings - an important characteristic for such a large piece.

Nick Sheridan,
Designer



Valeo floor



Dimensions: 8'1" H max, 25" Ø shade
 Materials: solid wood, metal, linen shade
 Product weight: 95 lb
 Light source: medium base E26 socket
 Lamping: E26 base, type A lamp, 60 W max
 Input voltage: 120 V AC max
 Includes 72" clear silver cord with inline foot switch 24" from base
 Bottom diffuser included (CM-051)
 Wood grain will vary
 Specifications subject to change
 Included dimmable LED A19 bulb
 Light output: 800 Lumens (source)
 Light color: 2700 K
 Color accuracy: 90+ CRI
 Power usage: 11 W

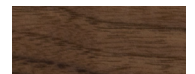


MATERIAL & FINISH OPTIONS

	Valeo part # 05-400-	A	L
Boom Arm	brushed aluminum (CM-006)	A	
Wood Body	walnut (CM-001)	W	
	dark stained walnut (CM-002)	D	
	white washed oak (CM-095)	O	
Fabric Shade	white linen (CM-016)	L	



brushed aluminum (CM-006)



walnut (CM-001)



dark stained walnut (CM-002)



white washed oak (CM-095)



white linen (CM-016)

Includes:

frosted polymer diffuser (CM-051)
 textured black powdercoat base (CM-049) for Walnut and Dark Stained Walnut wood body
 textured white powdercoat base (CM-060) for White Washed Oak wood body

Alternate voltage/plug styles are available

SHADE HEIGHT

Shade height (floor to bottom edge of shade) can be adjusted between 6'-7" maximum and 3'-11" minimum.

ARM LENGTH

Arm length (from back of base to center of shade) can be adjusted between 9'-6" maximum and 6'-6" minimum.