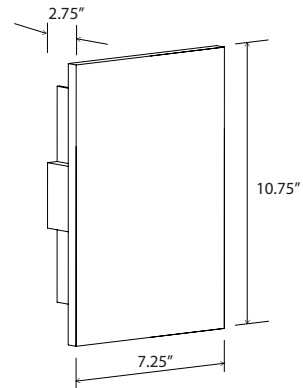


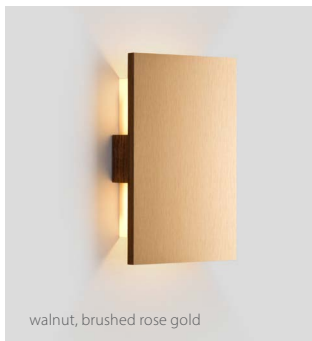


walnut, carrara marble

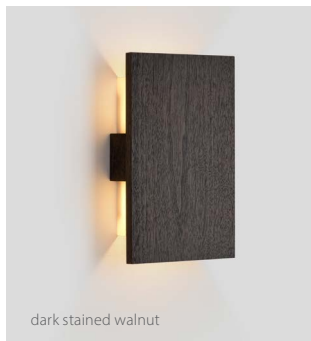
Tersus sconce



Dimensions: 10.75" x 7.25" x 2.75"
 Materials: solid wood, polymer, metal option, stone option
 Product weight: 2 lb (5 lb marble)
 Light source: integrated LED
 Light output: 1130 Lumens (source)
 Light color*: 2700 K or 3500 K
 Color accuracy: 90+ CRI
 Power usage: 13 W
 Dimmable (see driver below)
 Wood grain and stone will vary
 Specifications subject to change



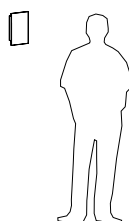
walnut, brushed rose gold



dark stained walnut

The Tersus is an example of the simplest form unlocking a myriad of design possibilities. The long reaching light pattern cast on the wall coupled with the numerous finishes and materials offered makes the Tersus well versed for all kinds of compositions and applications.

*Nick Sheridan,
 Designer*



MATERIAL & FINISH OPTIONS

Tersus sconce part # 03-136-

Wood Body

- walnut (CM-001)
- dark stained walnut (CM-002)
- maple (CM-005)
- white washed oak (CM-095)

Optional Face Material

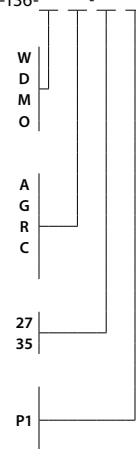
- brushed aluminum (CM-012)
- brushed rose gold (CM-046)
- brushed brass (CM-047)
- carrara marble (CM-078)
- none (leave blank)

Lamping*

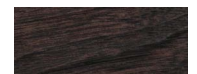
- 2700 K LED
- 3500 K LED

Driver

- AC Input Voltage Range: 120-277 V
- 120 V input: TRIAC, ELV & 0-10 V dimmable
- 240 & 277 V input: only 0-10 V dimmable



walnut (CM-001)



dark stained walnut (CM-002)



maple (CM-005)



white washed oak (CM-095)



brushed aluminum (CM-012)



brushed rose gold (CM-046)



brushed brass (CM-047)



carrara marble (CM-078)

Includes: frosted polymer (CM-024)*

J-box centered behind fixture.

*Available in 3000K, 4000K and other color temperatures upon request.