

cerno®



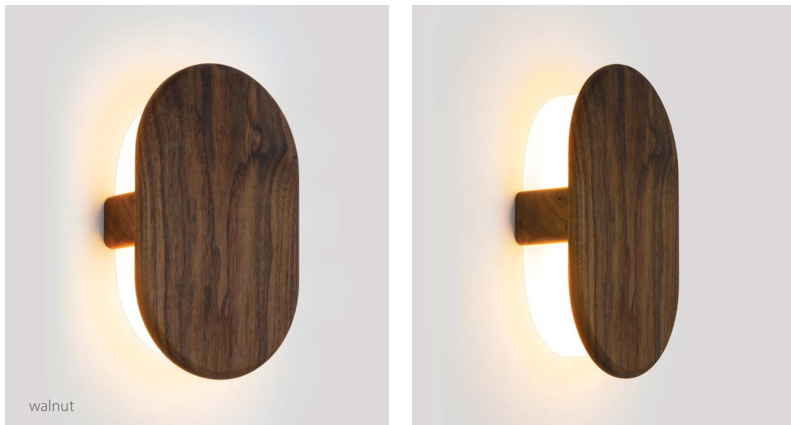
DESIGNED AND MADE IN CALIFORNIA

Tempus Sconce

Tempus sconce



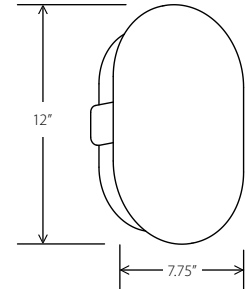
dark stained walnut



walnut



white washed oak



- Dimensions: 12" x 7.75" x 3"
- Product weight: 2 lb
- Light source: integrated LED
- Light output: 1280 Lumens (source)
- Light color: 2700 K, 3000 K, 3500 K, or 4000 K
- Color accuracy: 90+ CRI
- Power usage: 14 W
- Wood grain will vary
- Specifications subject to change



MATERIAL & FINISH OPTIONS

Tempus sconce part # 03-280- -

Wood Body

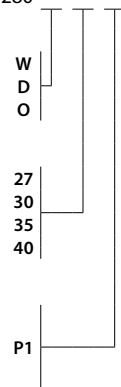
- walnut (CM-001)
- dark stained walnut (CM-002)
- white washed oak (CM-095)

Lamping

- 2700 K LED
- 3000 K LED
- 3500 K LED
- 4000 K LED

Driver

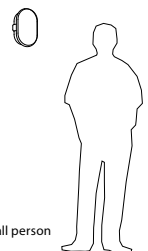
- AC Input Voltage Range: 120-277 V
- 120 V input: TRIAC, ELV & 0-10 V dimmable
- 240 & 277 V input: only 0-10 V dimmable



Includes: frosted polymer (CM-057)

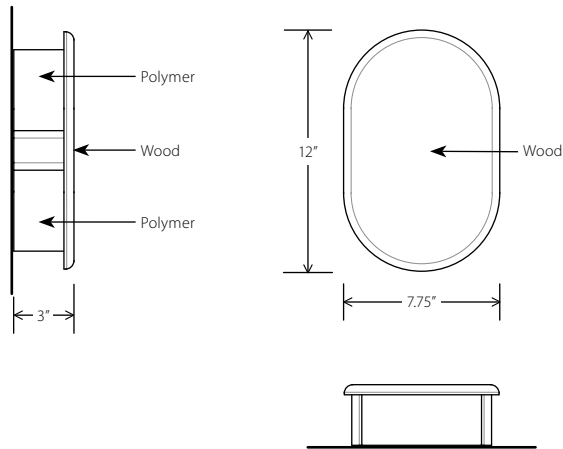
The Tempus Sconce draws inspiration from nature's beautiful designs. The rounded profile, rounded edges, and ample but smooth diffuse light exudes warmth. The solid wood body highlights the elegance of the wood grain. The design is dynamic, working well in traditional, transitional, or sleek modern environments.

Nick Sheridan
Designer

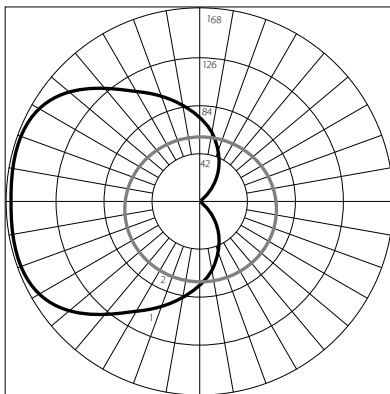


6' tall person

⚠ WARNING. California Proposition 65 Warning for California Consumers. This product can expose you to chemicals including wood dust and lead which are known to the State of California to cause cancer or birth defects or other reproductive harm. For more information go to www.P65Warnings.ca.gov



PHOTOMETRIC POLAR GRAPH



Maximum Candela = 168
 Located at
 Horizontal Angle = 180
 Vertical Angle = 67.5

Output specifications shown for 2700K CCT and walnut finish for vertical planes through 180-0 horizontal angles. Other CCTs and material finishes may cause output specifications to vary.

FINISHES



walnut (CM-001)



dark stained walnut (CM-002)



white washed oak (CM-095)

TECHNICAL SPECIFICATIONS

- Light source: integrated LED
- Light output: 1280 Lumens (source)
- Light color: 2700 K, 3000 K, 3500 K, or 4000 K
- Input voltage: 120-277 V AC
- Color accuracy: 90+ CRI
- Power usage: 14 W
- Dimmability: TRIAC, ELV, or 0-10V at 120 V AC input
- 0-10V only at 240-277 V AC input
- Materials: solid wood, polymer
- Wood grain will vary
- Specifications subject to change



▲WARNING. California Proposition 65 Warning for California Consumers. This product can expose you to chemicals including wood dust and lead which are known to the State of California to cause cancer or birth defects or other reproductive harm. For more information go to www.P65Warnings.ca.gov