

cerno®



Stillo 16 Pendant

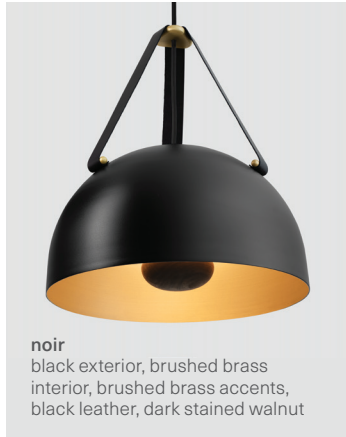
DESIGNED AND MADE IN CALIFORNIA



deux
black exterior, white interior, black accents, brown leather, walnut



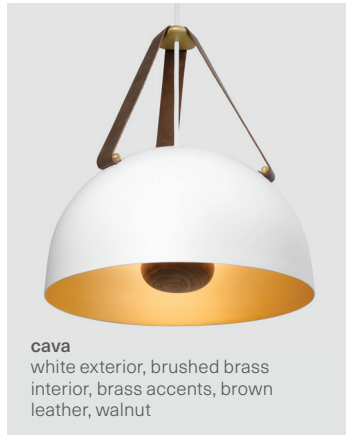
blanc
white exterior & interior, brushed brass accents, tan leather, white washed oak



noir
black exterior, brushed brass interior, brushed brass accents, black leather, dark stained walnut

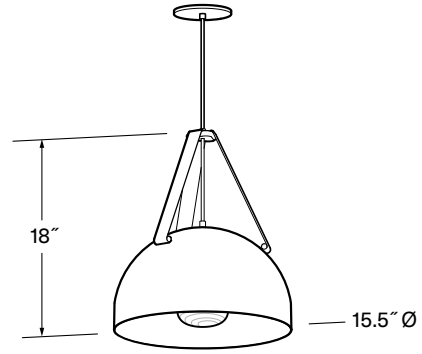


claire
white exterior and interior, brushed brass accents, brown leather, white oak



cava
white exterior, brushed brass interior, brass accents, brown leather, walnut

The Stillo pendant refines and builds on a familiar design language from our existing spun pendant collections — indirect light, leather suspension, spun metal, and thoughtful wood and metal details. The natural wood hub, lathe-turned into a domed form, mirrors the spinning it nests within. The light source casts beautiful glare-free illumination. Rounded accent pins and a triangular top piece gather the three leather straps, ensuring a level hang and a balanced silhouette from every angle.



Dimensions: 15.5" dia, 18"
 Product weight: 4 lb
 Light source: integrated LED
 Light output: 898 Lumens (source 3000 K)
 Lumen output will vary with alternate color temperatures
 Light color: 2700 K, 3000 K, 3500 K, or 4000 K
 Color accuracy: 90+ CRI
 Power usage: 10 W
 Dimmable (see power option)
 Wood grain will vary. Specifications subject to change.



MATERIAL AND FINISH OPTIONS

Stillo 16 pendant part # 06-410-

Finish Options

- noir
- blanc
- cava
- deux
- claire

N
B
C
D
L

Lamping

- 2700 K LED
- 3000 K LED
- 3500 K LED
- 4000 K LED

27
30
35
40

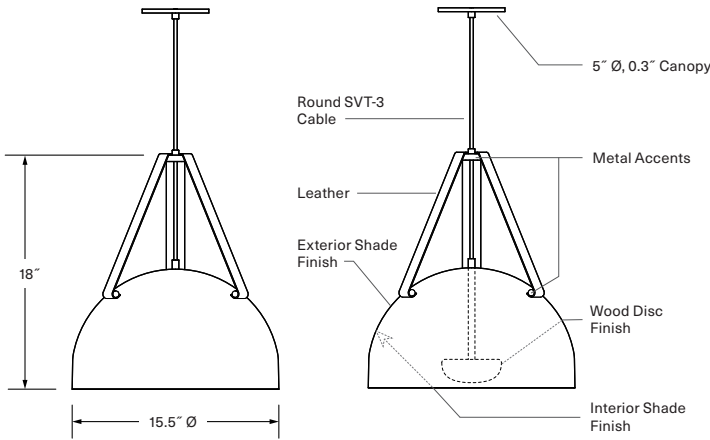
Power Option

- 120 V AC input voltage
- TRIAC and ELV dimming

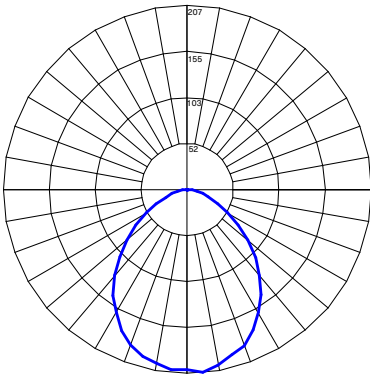
P1

For expanded offering see Specification Sheet.





PHOTOMETRIC POLAR GRAPH



Output specifications shown for 2700K CCT and white interior shade finish for vertical plane through 0-180 degree horizontal angles. Other CCTs and material finishes may cause output specifications to vary.

Maximum Candela = 206.98
 Located at:
 Horizontal Angle = 315
 Vertical Angle = 5

TECHNICAL SPECIFICATIONS

- Light source: integrated LED
- Light output: 898 Lumens (source 3000 K)
- Lumen output will vary with alternate color temperatures
- Light color: 2700 K, 3000 K, 3500 K, or 4000 K
- Color accuracy: 90+ CRI
- Input voltage: 120
- Power usage: 10 W
- Dimmable (see power option)

Suspension Details

- Round canopy with SVT-3 Cable
- Canopy dimensions*: 5" Ø, 0.3"
- Field adjustable overall drop length: 0'20" min - 8'6" max
- White canopy and cord for fixtures with white shade exterior
- Black canopy and cord for all other finishes
- Specifications subject to change



Standard combinations on the previous page are stocked. Fixture specified by using the SKU builder below are subject to increased lead times and minimum order quantities.

Stillo 16 pendant part # 06-410-

Exterior Shade Finish

- textured black powder coat (CM-049)
- textured white powder coat (CM-060)
- brushed brass (CM-120)
- distressed brass (CM-117)

Interior Shade Finish

- textured white powder coat (CM-060)
- brushed brass (CM-120)
- distressed brass (CM-117)

Metal Accent Finish

- textured black powder coat (CM-049)
- textured white powder coat (CM-060)
- brushed brass (CM-120)

Leather Finish

- brown leather (CM-098)
- black leather (CM-127)
- tan leather (CM-128)

Wood Disc Finish

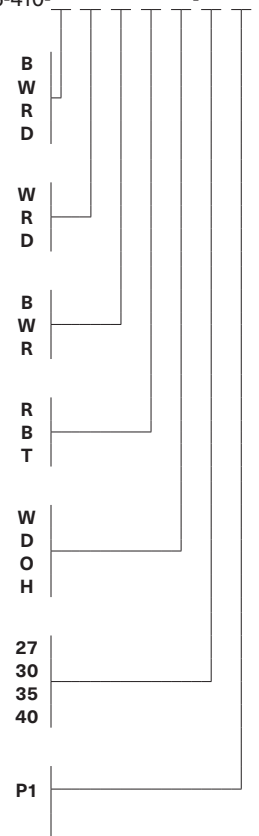
- walnut (CM-001)
- dark stained walnut (CM-002)
- white washed oak (CM-095)
- white oak (CM-083)

Lamping

- 2700 K LED
- 3000 K LED
- 3500 K LED
- 4000 K LED

Driver Option

- 120 V AC input voltage
- TRIAC and ELV dimming



FINISHES

