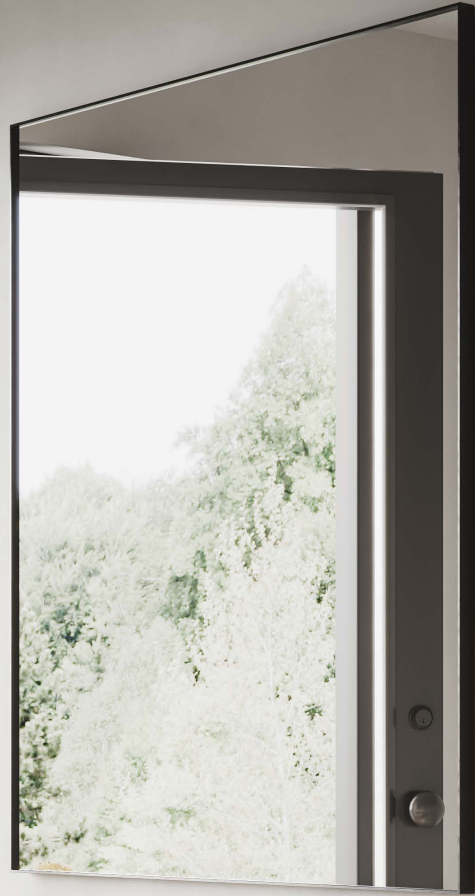
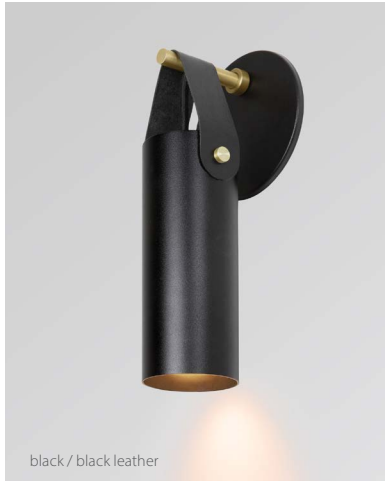


cerno®



DESIGNED AND MADE IN CALIFORNIA

Spero Sconce



black / black leather



brass / brown leather



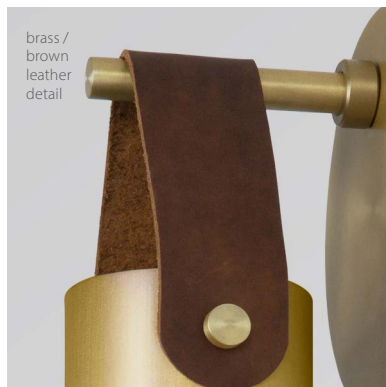
distressed brass / black leather



white / tan leather

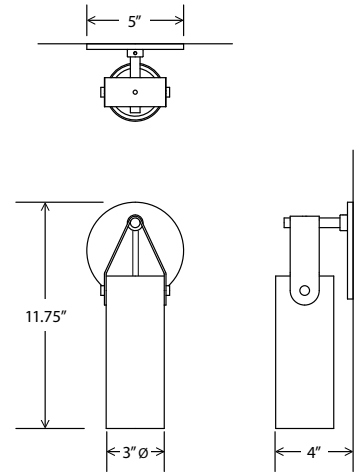


white / tan leather detail



brass / brown leather detail

## Spero sconce



Dimensions: 5" x 11.75" x 4"  
 Product weight: 2 lb  
 Lamping: 1x E26 base, PAR20 lamp, 20 W max  
 Specifications subject to change



### MATERIAL & FINISH OPTIONS

Spero sconce part # 03-260-

#### Standard Combinations

- black / black leather
- brass / brown leather
- distressed brass / black leather
- white / tan leather

B  
R  
D  
W

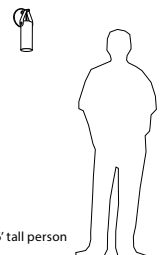
#### Bulb Options

- PAR20 LED bulb included - 2700 K, 90CRI, 40 degree flood
- no bulb included

27  
00

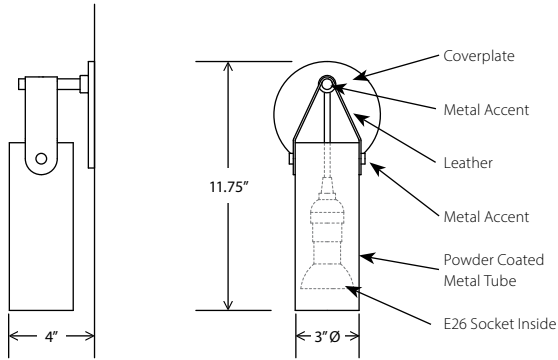
For expanded offering see Specification Sheet.

The Spero sconce illustrates a minimalist mindset without sacrificing design details that define the fixture. Pronounced metal accents join the leather strap to the shade, adding a balanced contrast between the different elements. The bottom aperture allows the delivery of ample light while shielding the rest of the space from glare.



6' tall person

**⚠ WARNING.** California Proposition 65 Warning for California Consumers. This product can expose you to chemicals including wood dust and lead which are known to the State of California to cause cancer or birth defects or other reproductive harm. For more information go to [www.P65Warnings.ca.gov](http://www.P65Warnings.ca.gov)



Standard combinations on the previous page are stocked. Fixture specified by using the SKU builder below are subject to increased lead times and minimum order quantities.

Spero sconce part # 03-260-

**Shade Finish**

- textured black powder coat (CM-049)
- textured white powder coat (CM-060)
- brushed brass (CM-120)
- distressed brass (CM-117)

B  
W  
R  
D

**Metal Accent Finish**

- textured black powder coat (CM-049)
- textured white powder coat (CM-060)
- brushed brass (CM-120)
- distressed brass (CM-117)

B  
W  
R  
D

**Coverplate Finish**

- textured black powder coat (CM-049)
- textured white powder coat (CM-060)
- brushed brass (CM-120)
- distressed brass (CM-117)

B  
W  
R  
D

**Leather Finish**

- brown leather (CM-098)
- black leather (CM-127)
- tan leather (CM-128)

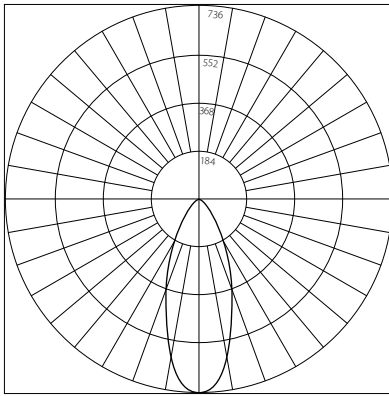
R  
B  
T

**Bulb Options**

- PAR20 LED bulb included - 2700 K, 90CRI, 40 degree flood, 6.5 W, 650 lumens
- no bulb included

27  
00

## PHOTOMETRIC POLAR GRAPH



Maximum Candela = 736  
Located at  
Horizontal Angle = 0,  
Vertical Angle = 0

Output for 40 degree  
flood PAR20 bulb.  
Actual output will vary  
if a different bulb type  
is installed.

## TECHNICAL SPECIFICATIONS

Light source: medium base E26 socket  
Lamping: 1x E26 base, PAR20 lamp, 20 W max  
Input Voltage: 250 V AC max

Specifications subject to change



Included PAR20 LED bulb specifications (optional)  
Light output: 520 Lumens (source)  
Light color: 2700 K  
Color accuracy: 90+ CRI  
Power usage: 6.5 W  
Dimmability: Triac or ELV

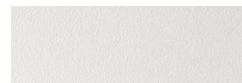
## FINISHES



textured black powder coat  
(CM-049)



brushed brass  
(CM-120)



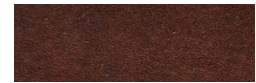
textured white powder coat  
(CM-060)



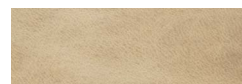
distressed brass  
(CM-117)



black leather  
(CM-127)



brown leather  
(CM-098)



tan leather  
(CM-128)

**WARNING.** California Proposition 65 Warning for California Consumers. This product can expose you to chemicals including wood dust and lead which are known to the State of California to cause cancer or birth defects or other reproductive harm. For more information go to [www.P65Warnings.ca.gov](http://www.P65Warnings.ca.gov)