

cerno®



# Sona Sconce

DESIGNED AND MADE IN CALIFORNIA

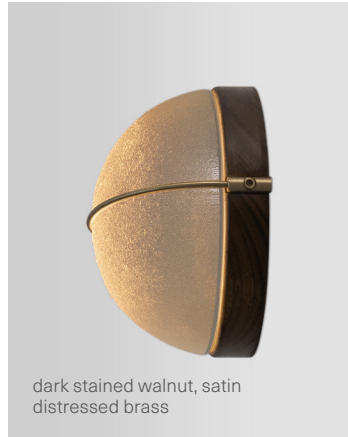




walnut, satin brushed brass



dark stained walnut, satin distressed brass



dark stained walnut, satin distressed brass

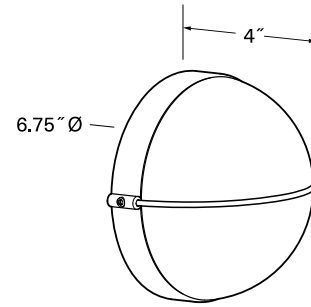


white oak, satin brushed brass



white oak, satin brushed brass

The Sona sconce produces a quality of light that mimics natural light. The sand-cast glass feels organic and is intentionally imperfect, creating warm, diffused light. The glass, brass strap, and wood backplate create a cohesive composition. The porthole aesthetic taps into the design team's endless source of inspiration, the ocean and nautical design. The Sona was a collaborative design from Siemon & Salazar and Cerno.



Dimensions: 6.75" Ø x 4"  
 Product weight:\* 6.5 lbs  
 Light source: integrated LED  
 Light output: 816 Lumens (source 2700 K)  
 Light color: 2700 K, 3000 K, 3500 K, 4000 K  
 Color accuracy: 90+ CRI  
 Power usage: 10.5 W  
 Dimmable: TRIAC, ELV, and 0-10 V dimming  
 Driver location: can should be house in J-box, or remotely  
 Driver dimensions: 2.69" x 1.56" x 0.69"  
 UL listed for damp locations.  
 Wood grain will vary.  
 Specifications subject to change.



**MATERIAL AND FINISH OPTIONS**

Sona sconce part # 03-340-

**Metal Finish**

satin brushed brass (CM-143)  
 satin distressed brass (CM-144)

R  
D

**Wood Finish**

walnut (CM-001)  
 dark stained walnut (CM-002)  
 white oak (CM-083)

W  
D  
O

**Lamping**

2700 K LED  
 3000 K LED  
 3500 K LED  
 4000 K LED

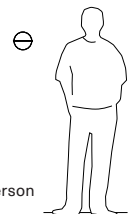
27  
30  
35  
40

**Driver**

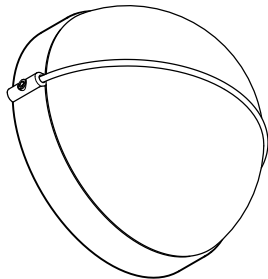
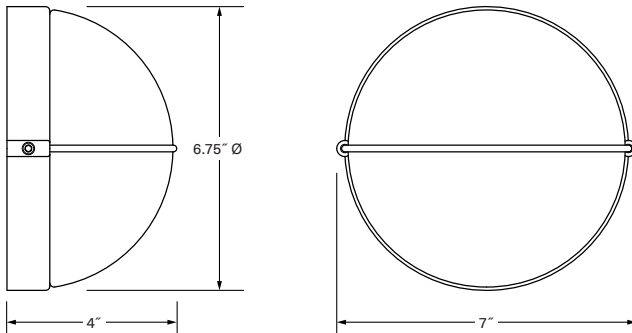
120V - 277V AC input voltage  
 TRIAC, ELV, & 0-10 V dimming

P1

\*Each piece of glass is a unique work of art. Dimensions, weight, and color will vary. When multiple fixtures are installed next to each other, expect some variation in shape and color.



6' tall person

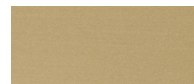


### TECHNICAL SPECIFICATIONS

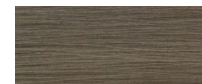
- Light source: integrated LED
- Light output: 816 Lumens (source 2700 K)
- Light color: 2700 K, 3000 K, 3500 K, or 4000 K
- Color accuracy: 90+ CRI
- Power usage: 10.5 W
- Dimmable: TRIAC, ELV, and 0-10 V dimming
- Driver location: can should be house in J-box, or remotely
- Driver dimensions: 2.69" x 1.56" x 0.69"
- UL listed for damp locations
- Specifications subject to change



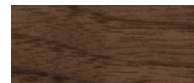
### FINISHES



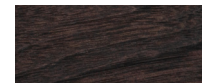
satin brushed brass  
(CM-143)



satin distressed brass  
(CM-144)



walnut (CM-001)



dark stained walnut  
(CM-002)



white oak (CM-083)