



walnut



dark stained walnut

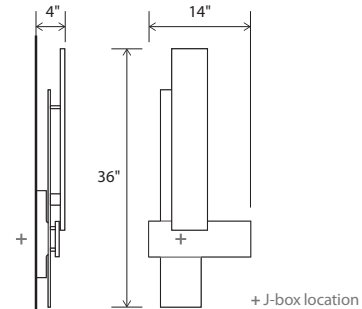


walnut

The Sedo is composed of just three floating planes all kept parallel to the wall. This simple composition cloaks the light engine from view and filters the light as it is delivered far up and down the wall. It's this wall grazing and diffuser glow that gives the Sedo a strong architectural presence.

Nick Sheridan,
Designer

Sedo sconce



Dimensions: 36" x 14" x 4"
 Materials: solid wood, polymer
 Product weight: 6 lb
 Light source: integrated LED
 Light output: 1130 Lumens (source)
 Light color: 2700 K or 3500 K
 Color accuracy: 90+ CRI
 Power usage: 13 W
 Dimmable (see driver below)
 ADA compliant hotel room signage with tactile numbering and corresponding braille available
 Wood grain will vary
 Specifications subject to change



MATERIAL & FINISH OPTIONS

Sedo part # 03-133-

Wood Body

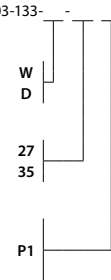
walnut (CM-001)
 dark stained walnut (CM-002)

Lamping*

2700 K LED
 3500 K LED

Driver

AC Input Voltage Range: 120-277 V
 120 V input: TRIAC, ELV & 0-10 V dimmable
 240 & 277 V input: only 0-10 V dimmable



walnut (CM-001)



dark stained walnut (CM-002)

Includes: frosted polymer (CM-024)

*Available in 3000K, 4000K and other color temperatures upon request.

Emergency backup option available upon request, requires oversized J-box.

