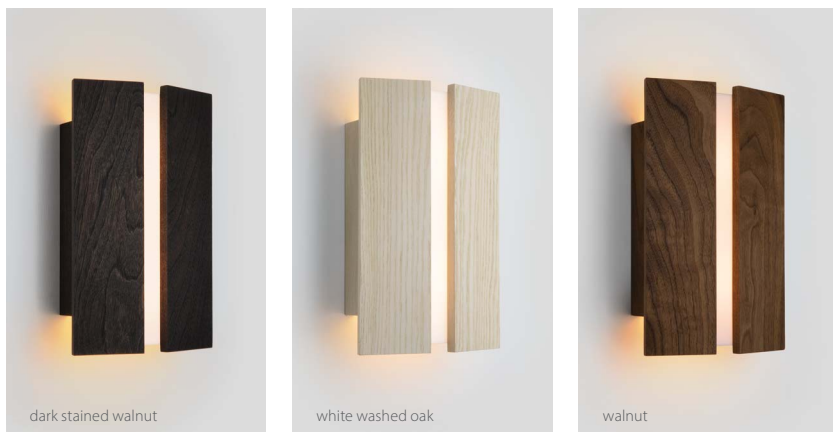


cerno®



DESIGNED AND MADE IN CALIFORNIA

Rima Sconce



dark stained walnut

white washed oak

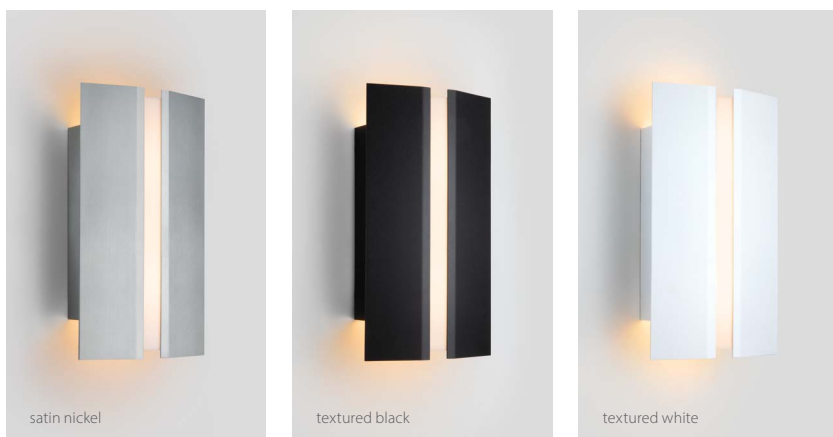
walnut



brushed brass

distressed brass

oil rubbed bronze

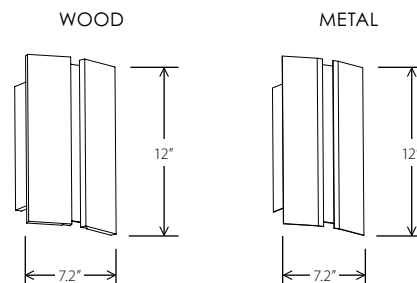


satin nickel

textured black

textured white

Rima sconce



Dimensions: 12" x 7.2" x 4"
 Product weight: 3 lb
 Light source: integrated LED
 Light output: 1130 Lumens (source)
 Light color: 2700 K, 3000 K, 3500 K, or 4000 K
 Color accuracy: 90+ CRI
 Power usage: 14 W
 Wood grain will vary
 Specifications subject to change



MATERIAL & FINISH OPTIONS

Rima Sconce part # 03-270- -

Body - Wood Construction

- walnut (CM-001)
- dark stained walnut (CM-002)
- white washed oak (CM-095)

Body - Metal Construction

- textured black (CM-049)
- textured white (CM-060)
- satin nickel (CM-124)
- brushed brass (CM-120)
- distressed brass (CM-117)
- oil rubbed bronze (CM-029)

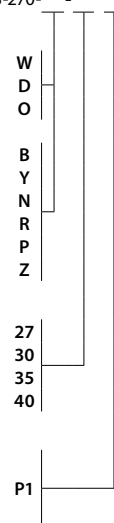
Lamping

- 2700 K LED
- 3000 K LED
- 3500 K LED
- 4000 K LED

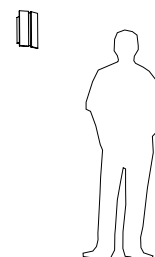
Driver

- AC input Voltage Range: 120-277 V
- 120 V input: TRIAC, ELV & 0-10 V dimmable
- 240 & 277 V input: only 0-10 V dimmable

Includes: frosted polymer (CM-051)

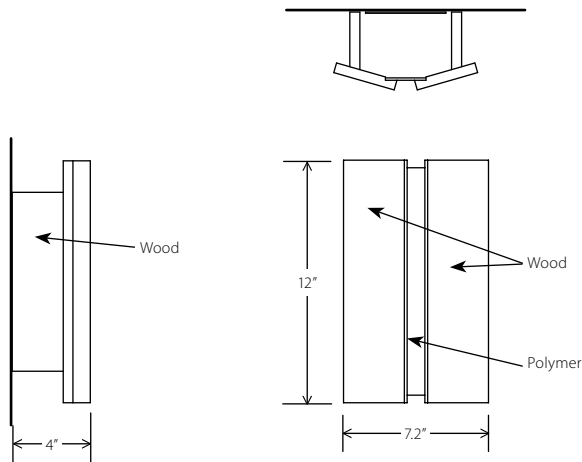


The Rima sconce is an illuminating example of functional minimalism. The shade is distilled down to a few essential materials composing a sleek modern design that emits a beautiful quality of light. The Rima is available in a variety of metal and wood finishes.

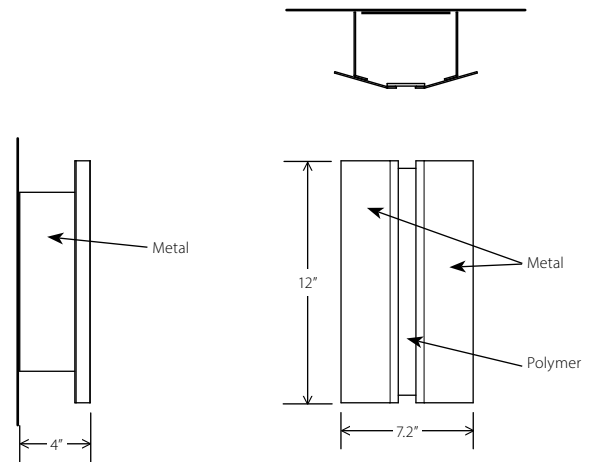


⚠ WARNING. California Proposition 65 Warning for California Consumers. This product can expose you to chemicals including wood dust and lead which are known to the State of California to cause cancer or birth defects or other reproductive harm. For more information go to www.P65Warnings.ca.gov

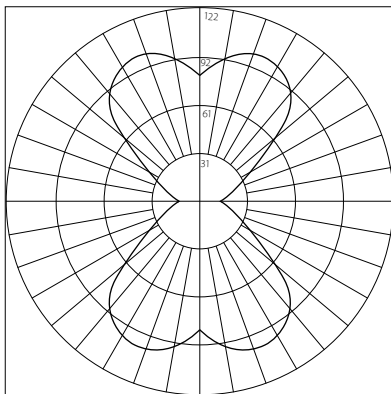
WOOD



METAL



PHOTOMETRIC POLAR GRAPH



Maximum Candela = 122
 Located at:
 Horizontal Angle = 0,
 Vertical Angle = 35

Output specifications shown for 2700K CCT and walnut finish for vertical plane through 90-270 degree horizontal angles. Other CCTs and material finishes may cause output specifications to vary.

FINISHES



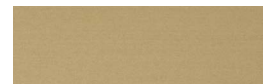
walnut (CM-001)



dark stained walnut (CM-002)



white washed oak (CM-095)



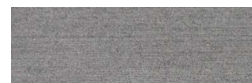
brushed brass (CM-120)



distressed brass (CM-117)



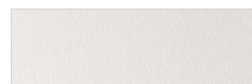
oil rubbed bronze (CM-029)



satin nickel (CM-124)



textured black powder coat (CM-049)



textured white powder coat (CM-060)

TECHNICAL SPECIFICATIONS

- Light source: integrated LED
- Light output: 1130 Lumens (source)
- Light color: 2700 K, 3000 K, 3500 K, or 4000 K
- Input voltage: 120-277 V AC
- Color accuracy: 90+ CRI
- Power usage: 14 W
- Dimmability: TRIAC, ELV, or 0-10V at 120 V AC input
 0-10V only at 240-277 V AC input
- Materials: solid wood, polymer, aluminum
- Wood grain will vary
- Specifications subject to change



WARNING. California Proposition 65 Warning for California Consumers. This product can expose you to chemicals including wood dust and lead which are known to the State of California to cause cancer or birth defects or other reproductive harm. For more information go to www.P65Warnings.ca.gov