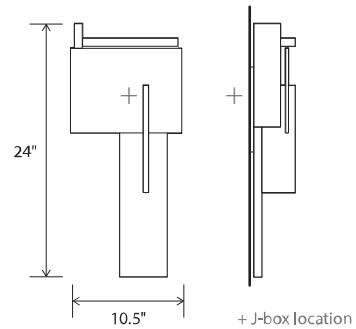




walnut

Oris sconce



Dimensions: 24" x 10.5" x 4"
 Materials: solid wood, polymer, aluminum
 Product weight: 6 lb
 Light source: integrated LED
 Light output: 1130 Lumens (source)
 Light color: 2700 K or 3500 K
 Color accuracy: 90+ CRI
 Power usage: 13 W
 Dimmable (see driver below)
 ADA compliant hotel room signage with tactile numbering and corresponding braille available
 Wood grain will vary
 Specifications subject to change



dark stained walnut



walnut

MATERIAL & FINISH OPTIONS

| | | |
|---|---------------------|--|
| | Oris part # 03-140- | |
| Metal Finish | | |
| brushed aluminum (CM-006) | A | |
| Wood Body | | |
| walnut (CM-001) | W | |
| dark stained walnut (CM-002) | D | |
| Lamping* | | |
| 2700 K LED | 27 | |
| 3500 K LED | 35 | |
| Driver | | |
| AC Input Voltage Range: 120-277 V | P1 | |
| 120 V input: TRIAC, ELV & 0-10 V dimmable | | |
| 240 & 277 V input: only 0-10 V dimmable | | |



brushed aluminum (CM-006)



walnut (CM-001)



dark stained walnut (CM-002)

Includes: frosted polymer (CM-024)

*Available in 3000K, 4000K and other color temperatures upon request.

Emergency backup option available upon request, requires oversized J-box.

The Oris has a strong and commanding presence with its highly architectonic form. The thick solid stock walnut and solid aluminum central fin give the Oris a feeling of permanence and integration into the surrounding architecture. The simple asymmetrical composition adds an understated complexity, as well as excellent illumination, to any wall.

Nick Sheridan,
 Designer

