

cerno®



DESIGNED AND MADE IN CALIFORNIA

Ora Sconce



brushed brass



walnut



dark stained walnut



white washed oak



brushed aluminum



distressed brass

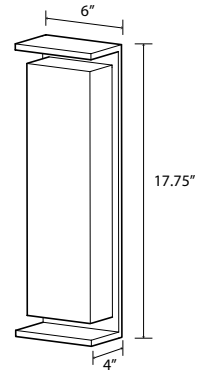


textured black



textured white

Ora sconce



Dimensions: 17.75" x 6" x 4"
 Product weight: 5 lb (wood), 8 lb (metal)
 Light source: integrated LED
 Light output: 1124 Lumens (source)
 Light color: 2700 K, 3000 K, or 3500 K
 Color accuracy: 90+ CRI
 Power usage: 15.2 W
 Wood grain will vary
 Specifications subject to change



MATERIAL & FINISH OPTIONS

Ora sconce part # 03-290- -

Body - Wood Construction

- walnut (CM-001)
- dark stained walnut (CM-002)
- white washed oak (CM-095)

Body - Metal Construction

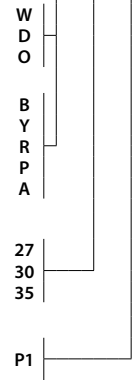
- textured black (CM-049)
- textured white (CM-060)
- brushed brass (CM-120)
- distressed brass (CM-117)
- brushed aluminum (CM-119)

Lamping

- 2700 K LED
- 3000 K LED
- 3500 K LED

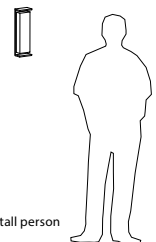
Driver

- 100-305 V AC input voltage
- TRIAC, ELV & 0-10 V dimming



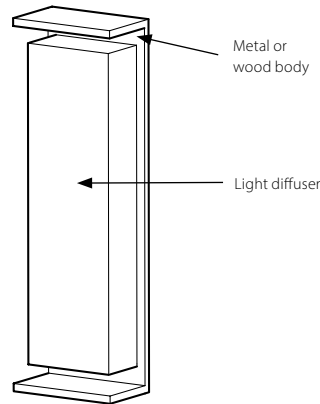
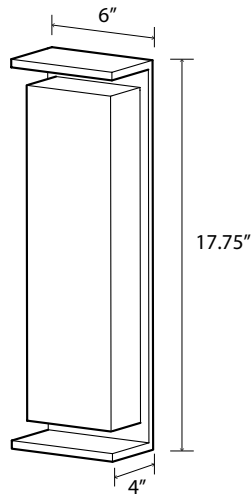
Includes: frosted polymer (CM-129)

The Ora's sturdy design prioritized sleekness and structural integrity. This sconce is efficient and delivers ample usable light. A minimalist aesthetic makes it adaptable and suitable for different genres of designed environments. By simply selecting a natural hardwood or metal finish, a designer can completely change the feel of a room.

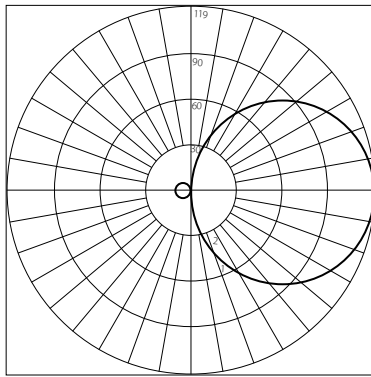


6' tall person

⚠ WARNING. California Proposition 65 Warning for California Consumers. This product can expose you to chemicals including wood dust and lead which are known to the State of California to cause cancer or birth defects or other reproductive harm. For more information go to www.P65Warnings.ca.gov



PHOTOMETRIC POLAR GRAPH



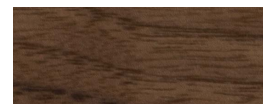
Maximum Candela = 119.48
 Located at:
 Horizontal Angle = 0,
 Vertical Angle = 80

Output specifications shown for 2700K CCT and walnut finish for vertical plane through 0-180 degree horizontal angles. Other CCTs and material finishes may cause output specifications to vary.

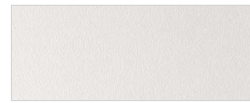
FINISHES



textured black powder coat (CM-049)



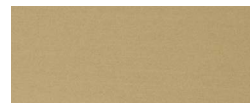
walnut (CM-001)



textured white powder coat (CM-060)



dark stained walnut (CM-002)



brushed brass (CM-120)



white washed oak (CM-095)



distressed brass (CM-117)



brushed aluminum (CM-119)

TECHNICAL SPECIFICATIONS

- Light source: integrated LED
- Light output: 1124 Lumens (source)
- Light color: 2700 K, 3000 K, or 3500 K
- Input voltage: 120-277 V AC
- Color accuracy: 90+ CRI
- Power usage: 15.2 W
- Dimmability: TRIAC, ELV, or 0-10 V dimmable
- Materials: solid wood, solid aluminum, polymer
- Wood grain will vary
- Specifications subject to change



⚠ WARNING. California Proposition 65 Warning for California Consumers. This product can expose you to chemicals including wood dust and lead which are known to the State of California to cause cancer or birth defects or other reproductive harm. For more information go to www.P65Warnings.ca.gov