

cerno®



DESIGNED AND MADE IN CALIFORNIA

Nubis Linear Pendant



walnut

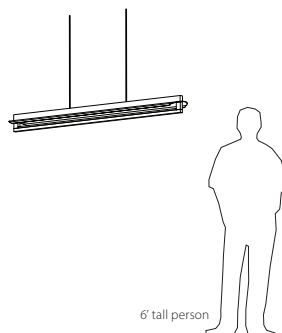


white washed oak, under view

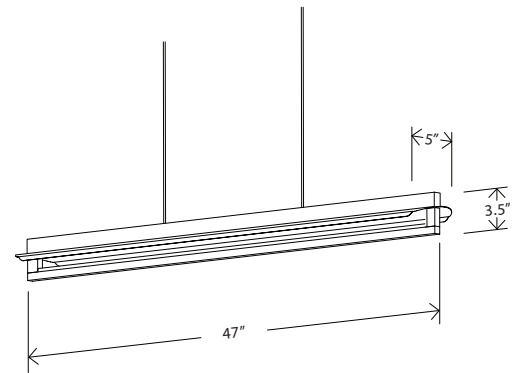


dark stained walnut, under view

*Elegant utility. The Nubis linear pendant's clean lines exude both strength and sophistication. Rarely can a design hang above a desk in an office or a dining table in your home and feel ideally suited for both environments. The indirect light source delivers a beautiful quality and meaningful amount of light while also eliminating an opportunity for glare.*



## Nubis linear pendant



Dimensions: 47" x 5", 3.5" H  
 Product weight: 6 lb  
 Light source: integrated LED  
 Light output: 2709 Lumens (source)  
 Light color: 2700 K, 3000 K, 3500 K, or 4000 K  
 Color accuracy: 90+ CRI  
 Power usage: 24 W  
 Dimmable (see driver section below)  
 Wood grain will vary  
 Specifications subject to change



### MATERIAL & FINISH OPTIONS

Nubis linear pendant part # 07-250-

#### Wood Finish

walnut (CM-001)  
 dark stained walnut (CM-002)  
 white washed oak (CM-095)

W  
 D  
 O

#### Wood Finish

split canopy  
 linear canopy

S  
 L

#### Canopy Finish

textured black (CM-049)  
 textured white (CM-060)

B  
 W

#### Lamping

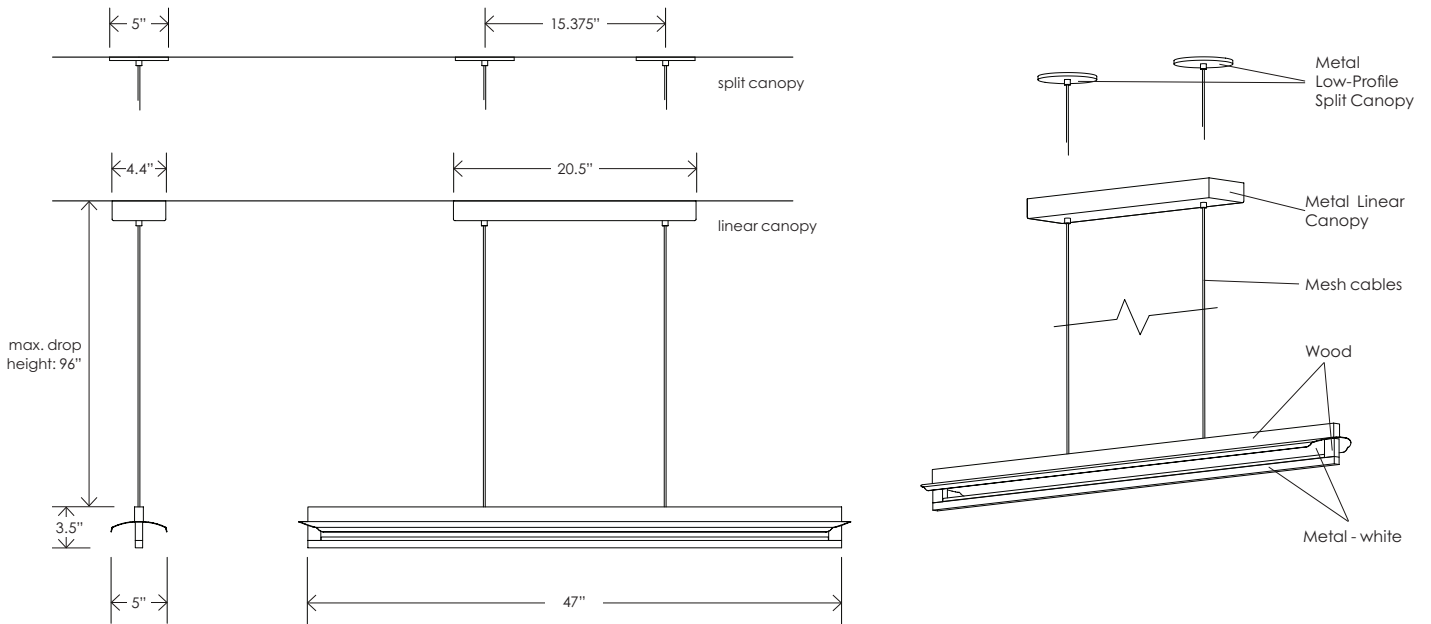
2700 K LED  
 3000 K LED  
 3500 K LED  
 4000 K LED

27  
 30  
 35  
 40

#### Driver

AC Input Voltage Range: 120-277 V  
 120 V input: TRIAC, ELV & 0-10 V dimmable  
 240 & 277 V input: only 0-10 V dimmable

P1

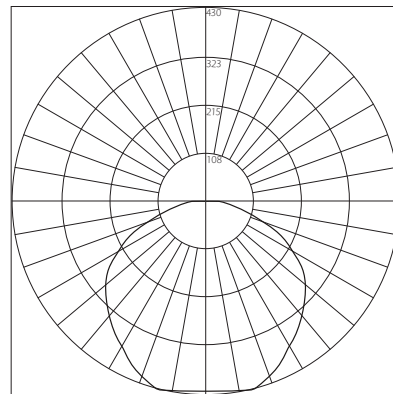


## TECHNICAL SPECIFICATIONS

Materials: solid wood, aluminum  
 Light source: integrated LED  
 Light output: 2709 Lumens (source)  
 Light color: 2700 K, 3000 K, 3500 K, or 4000 K  
 Color accuracy: 90+ CRI  
 Input Voltage: 120-277 V AC  
 Power usage: 24 W  
 120 V input: TRIAC, ELV & 0-10 V dimmable  
 240 & 277 V input: only 0-10 V dimmable  
 Linear canopy dimensions: 20.5" x 4.4", 1.7"  
 Linear wood canopy covers are available:  
 Walnut (CM-001) cover: part # 60-241-001W  
 Dark Stained Walnut (CM-002) cover: part # 60-241-001D  
 White Washed Oak (CM-095) cover: part # 60-241-001O  
 Split canopy dimensions: 2x 5"Ø, 0.3"  
 Drop length field adjustable: 0'-10" min, 8'-0" max  
 Low voltage cord color matches canopy finish  
 Suitable for a sloped ceiling up to 45 degrees  
 Driver to be housed remotely or in canopy for linear canopy option  
 Driver dimensions: 3.3" x 1.6", 1"  
 Wood grain will vary  
 Specifications subject to change



## PHOTOMETRIC POLAR GRAPH



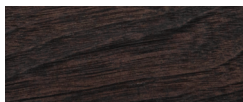
Maximum Candela = 430.29  
 Located at Horizontal Angle = 20, Vertical Angle = 15

Output specifications shown for 2700K CCT and walnut wood finish for vertical plane through 0-180 degree horizontal angles. Other CCTs and material finishes may cause output specifications to vary.

## FINISHES



walnut (CM-001)



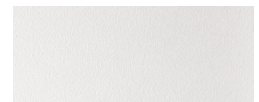
dark stained walnut (CM-002)



white washed oak (CM-095)



textured black (CM-049)



textured white (CM-060)

**WARNING.** California Proposition 65 Warning for California Consumers. This product can expose you to chemicals including wood dust and lead which are known to the State of California to cause cancer or birth defects or other reproductive harm. For more information go to [www.P65Warnings.ca.gov](http://www.P65Warnings.ca.gov)