

cerno®



DESIGNED AND MADE IN CALIFORNIA

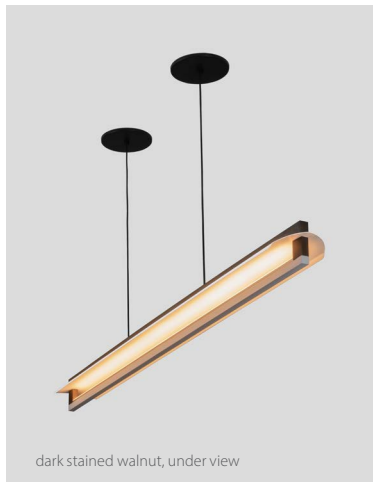
Nubis Linear Pendant



walnut

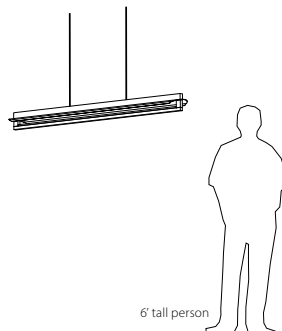


white washed oak, under view



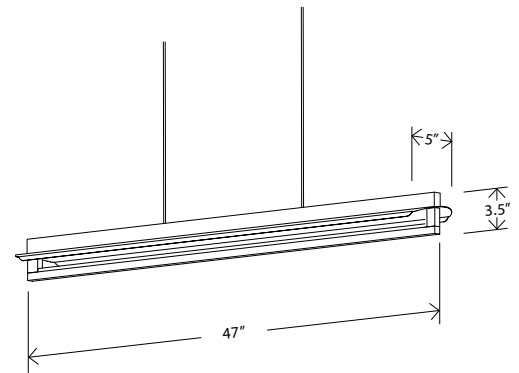
dark stained walnut, under view

*Elegant utility. The Nubis linear pendant's clean lines exude both strength and sophistication. Rarely can a design hang above a desk in an office or a dining table in your home and feel ideally suited for both environments. The indirect light source delivers a beautiful quality and meaningful amount of light while also eliminating an opportunity for glare.*



6' tall person

## Nubis linear pendant



Dimensions: 47" x 5", 3.5" H  
 Product weight: 6 lb  
 Light source: integrated LED  
 Light output: 2709 Lumens (source)  
 Light color: 2700 K, 3000 K, 3500 K, or 4000 K  
 Color accuracy: 90+ CRI  
 Power usage: 24 W  
 Dimmable (see driver section below)  
 Wood grain will vary  
 Specifications subject to change



### MATERIAL & FINISH OPTIONS

Nubis linear pendant part # 07-250-

#### Wood Finish

walnut (CM-001)  
 dark stained walnut (CM-002)  
 white washed oak (CM-095)

W  
 D  
 O

#### Wood Finish

split canopy  
 linear canopy

S  
 L

#### Canopy Finish

textured black (CM-049)  
 textured white (CM-060)

B  
 W

#### Lamping

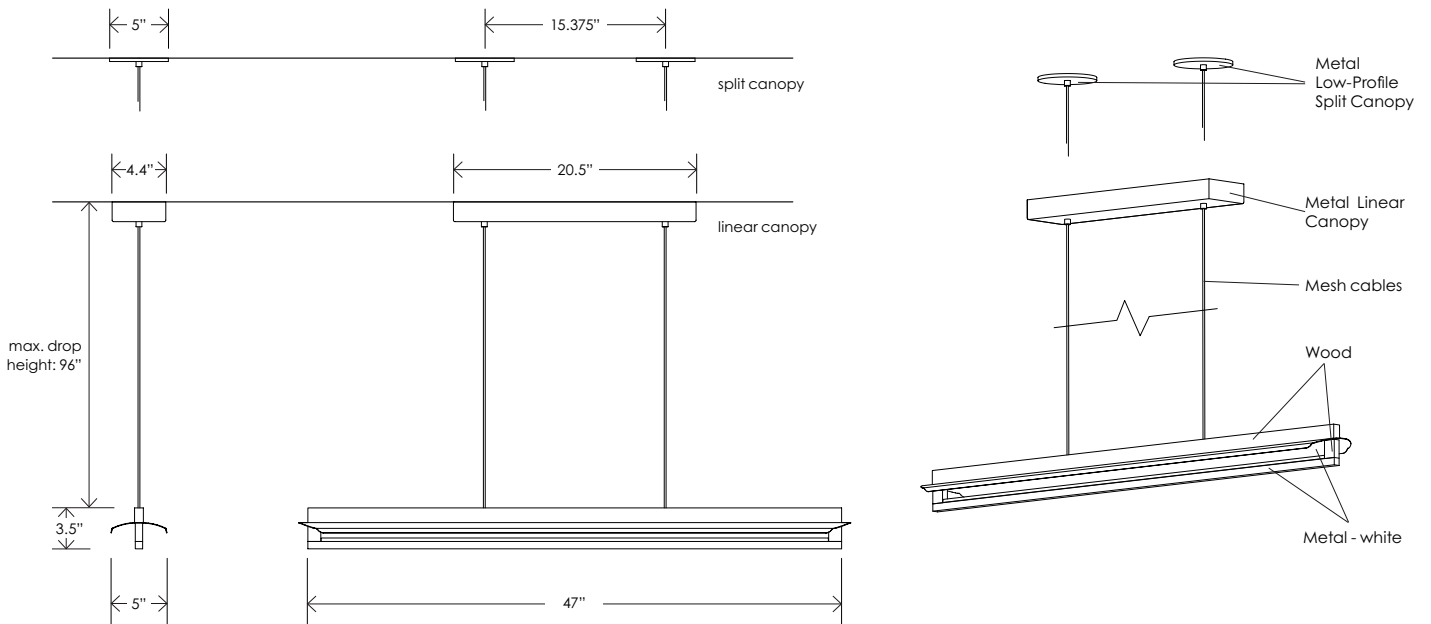
2700 K LED  
 3000 K LED  
 3500 K LED  
 4000 K LED

27  
 30  
 35  
 40

#### Driver

AC Input Voltage Range: 120-277 V  
 120 V input: TRIAC, ELV & 0-10 V dimmable  
 240 & 277 V input: only 0-10 V dimmable

P1

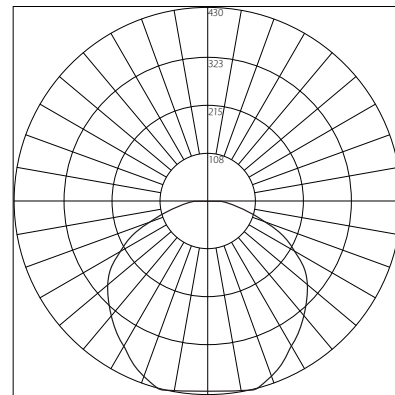


## TECHNICAL SPECIFICATIONS

Materials: solid wood, aluminum  
 Light source: integrated LED  
 Light output: 2709 Lumens (source)  
 Light color: 2700 K, 3000 K, 3500 K, or 4000 K  
 Color accuracy: 90+ CRI  
 Input Voltage: 120-277 V AC  
 Power usage: 24 W  
 120 V input: TRIAC, ELV & 0-10 V dimmable  
 240 & 277 V input: only 0-10 V dimmable  
 Linear canopy dimensions: 20.5" x 4.4", 1.7"  
 Linear wood canopy covers are available:  
 Walnut (CM-001) cover: part # 60-241-001W  
 Dark Stained Walnut (CM-002) cover: part # 60-241-001D  
 White Washed Oak (CM-095) cover: part # 60-241-001O  
 Split canopy dimensions: 2x 5"Ø, 0.3"  
 Drop length field adjustable: 0'-10" min, 8'-0" max  
 Low voltage cord color matches canopy finish  
 Suitable for a sloped ceiling up to 45 degrees  
 Driver to be housed remotely or in canopy for linear canopy option  
 Driver dimensions: 3.3" x 1.6", 1"  
 Wood grain will vary  
 Specifications subject to change



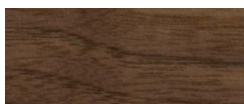
## PHOTOMETRIC POLAR GRAPH



Maximum Candela = 430.29  
 Located at Horizontal Angle = 20, Vertical Angle = 15

Output specifications shown for 2700K CCT and walnut wood finish for vertical plane through 0-180 degree horizontal angles. Other CCTs and material finishes may cause output specifications to vary.

## FINISHES



walnut (CM-001)



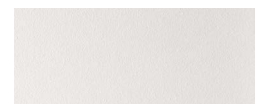
dark stained walnut (CM-002)



white washed oak (CM-095)



textured black (CM-049)



textured white (CM-060)