

General Product Information

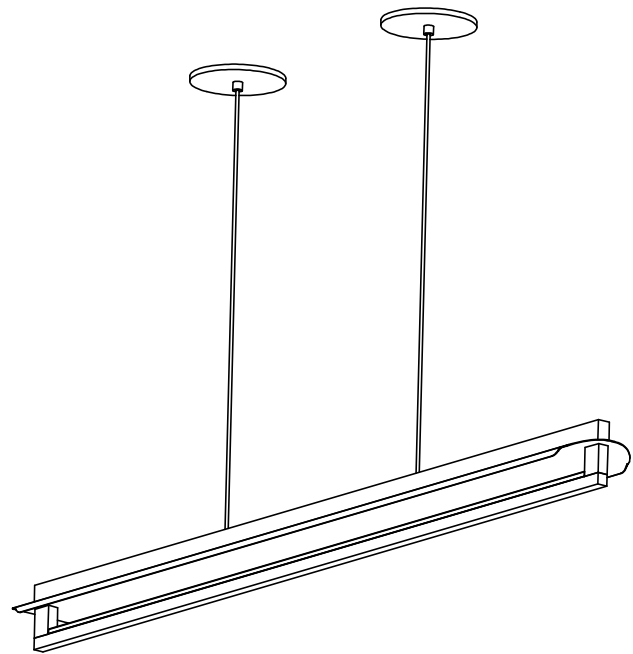
This product is suitable for indoor dry and damp locations only.

Junction Box Requirements: This fixture can be mounted to most standard junction boxes. It is the installer's responsibility to ensure that the site conditions, junction box, and fasteners used are suitable to support the weight of the fixture.

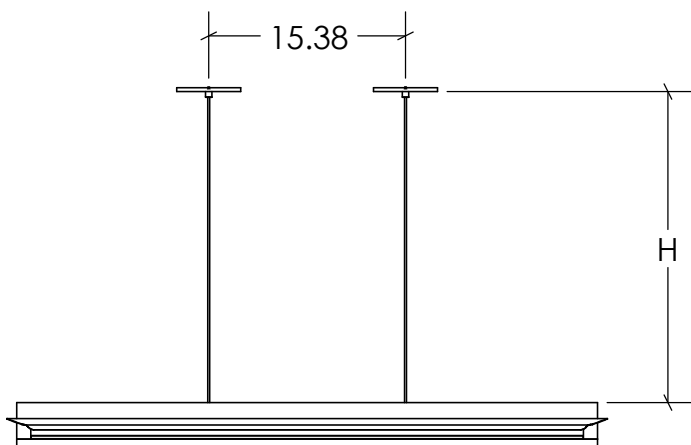
Damage due to incorrect connections can be detected at the factory and is not covered under warranty.

CAUTION - RISK OF FIRE

This product requires installation by a qualified electrician. Before installing be sure to read all instructions and **TURN POWER OFF TO THE JUNCTION BOX**



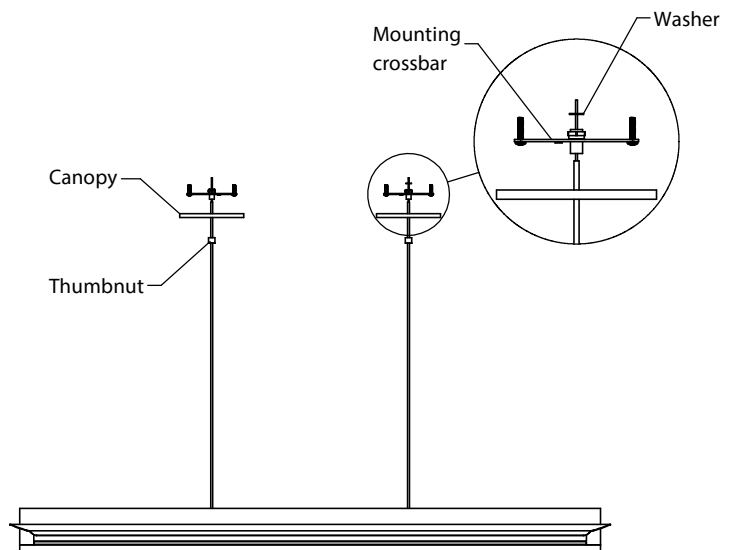
Adjusting the Fixture Height



- ① Measure the desired height (H) of the fixture.

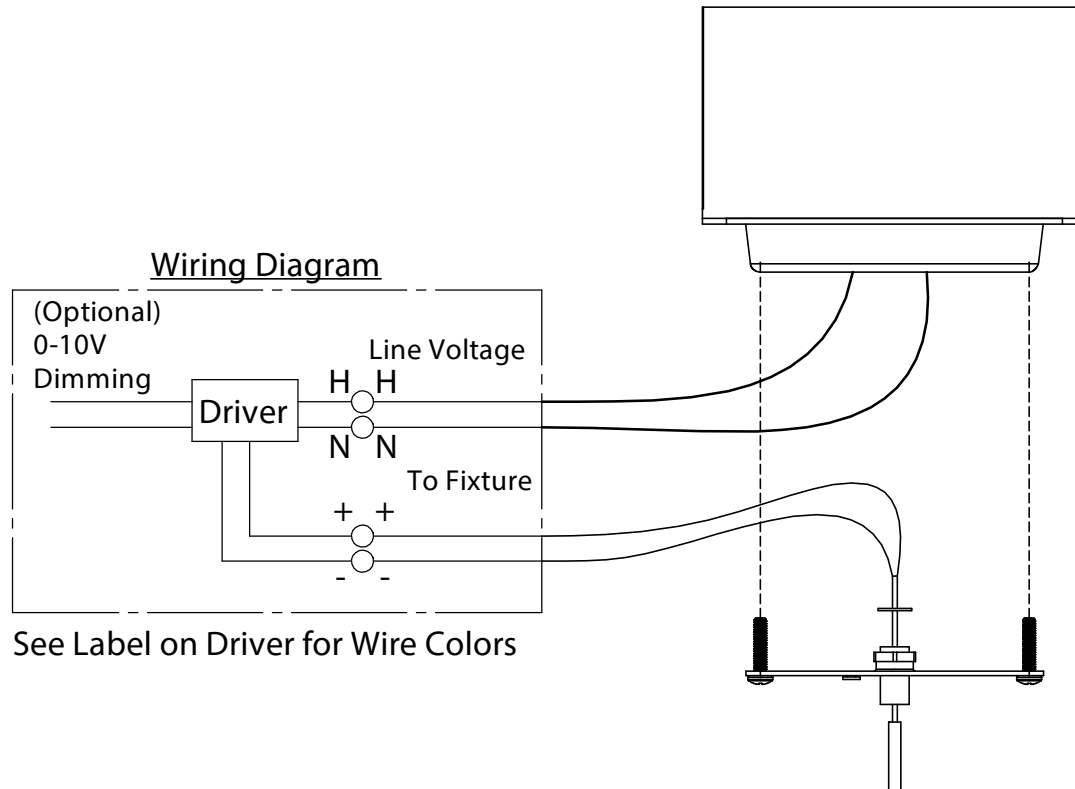
CRITICAL NOTE: Fixture input power is only on one side of the fixture. Send building power to one junction box and mark that box for reference when hanging the fixture.

- ② Feed the cables through the following parts in this order: canopy thumbnut, canopy, mounting crossbar, and washer.
- ③ Tie a not with the mesh wire above the washer to maintain the desired drop height (H) of the fixture.



Mounting the Fixture and Electrical Connections

- ④ Pull the line voltage wires through the junction box where the fixture input wire are hung. Use wire nuts to make connections between line voltage wires and the driver. Place the driver in the junction box or remote the driver if it does not fit in the junction box.
- ⑤ Secure the mounting crossbars to the junction boxes using the #8-32 machine screws.



- ⑥ Use wire nuts to make wire connections between the low voltage driver output leads and the fixture input leads. Connect the (+) driver output to the (+) fixture input and connect the (-) driver output to the (-) fixture input. See orange labels on the fixture wires for (+) and (-) fixture input. See driver label for driver wire colors.
- ⑦ (Optional) If using 0-10V dimming control, connect the 0-10V LED driver leads to the leads from the remote 0-10V dimmer.

CRITICAL NOTE: If 0-10V dimming is not being used, the tinned ends of the 0-10V LED driver leads should be snipped off and capped individually such that they remain isolated from one another

- ⑧ Place the canopy over the crossbar and secure the canopy onto the crossbar using the canopy thumbnuts.