

Project:

Contact:

Fill in the shaded boxes using the information listed below

Order Code	<b>R-0031</b>	-	<input type="text"/>	-	<input type="text"/>	-	<input type="text"/>	-	<input type="text"/>	-	<input type="text"/>	-	<input type="text"/>	-	<input type="text"/>
Model	<b>R-0031</b>														
		<b>(A)</b> SIZE	<b>(B)</b> SUSPENSION	<b>(C)</b> FINISH 1 - RING WALL	<b>(D)</b> FINISH 2 - SEAM PLATE	<b>(E)</b> LIGHT DIRECTION	<b>(F)</b> LAMPING CCT		<b>(G)</b> OPTION CODE						
EXAMPLE ORDER CODE	R-0031	-	60	-	S	-	002	-	008	-	D	-	27	-	EM

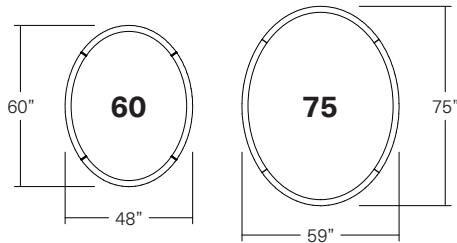


Monterey 60, angled cables, walnut ring walls, distressed brass seam plate, direct light, 3000K.

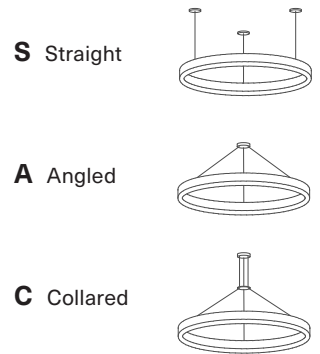


Detail of Distressed Brass seam plate with Walnut ring walls

**(A) SIZE**



**(B) SUSPENSION**



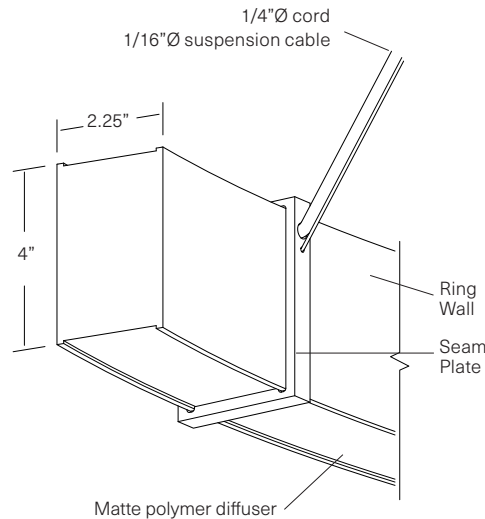
**(C) FINISH 1 - RING WALL**

- 001** Walnut
- 002** Dark Stained Walnut
- 095** White Washed Oak
- 012** Brushed Aluminum
- 046** Rose Gold
- 047** Brushed Brass
- 096** Distressed Brass
- 085** Matte Black
- 121** Matte White

**(D) FINISH 2 - SEAM PLATE**

- 119** Brushed Aluminum
- 120** Brushed Brass
- 117** Distressed Brass
- 049** Textured Black
- 060** Textured White

\*Canopy finish will match seam plate.



All Monterey pendants have 4 seam plates and suspension cables, number of electrical cords per model listed on page 2.

**(E) LIGHT DIRECTION**

- D** Direct
- B** Direct and Indirect

**(F) LAMPING CCT**

- 27** 2700K LED
- 30** 3000K LED
- 35** 3500K LED
- 40** 4000K LED
- CRI 90+

**(G) OPTION CODE**

**XD** For custom drop lengths add "XD" followed by desired *Overall Height* in inches at end of order code. Otherwise a standard 96" drop length is provided which is field cuttable.

**EM** Emergency Backup option.

Walnut and Oak fixtures are constructed of real solid wood with a natural oil finish.



LUMEN OUTPUT / WATTAGE / CORDS

Direct Light

SIZE	WATTS	DELIVERED LUMENS (DOWN)	NUMBER OF DRIVERS	WEIGHT (LBS)	NUMBER OF ELECTRICAL CORDS
60"	114	9010	2	31	2
75"	142	11415	2	33	2

Direct and Indirect Light

SIZE	WATTS	DELIVER LUMENS DOWN	DELIVERED LUMENS UP	NUMBER OF DRIVERS	WEIGHT (LBS)	NUMBER OF ELECTRICAL CORDS
60"	170	9010	4630	3	31	3
75"	210	11415	5830	3	33	3

DRIVER SPECS

120-277VAC Input

0-10V dimming down to 1% with dim to off

Drivers to be mounted remote at a maximum distance of 50' including pendant drop distance, provided a 12 gauge wire is used

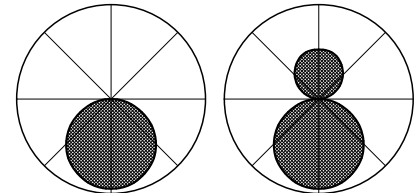
Driver dimension is 6.25" x 3" x 1.06"

See table for qty

CANOPY, SUSPENSION CABLES AND ELECTRICAL CORDS

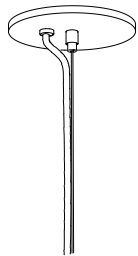
- The Monterey is built in 4 sections and is assembled on site.
- 1/16" aircraft cable with cable grip suspension hardware included.
- 72" drop provided for a suspension types - add XD in order code for longer drops.
- 24" minimum drop for angled cable suspensions.
- Angled suspension cable angles not to be less than 30 degrees from horizontal.
- Canopies match seam plate material finish.

PHOTOMETRIC POLAR GRAPH

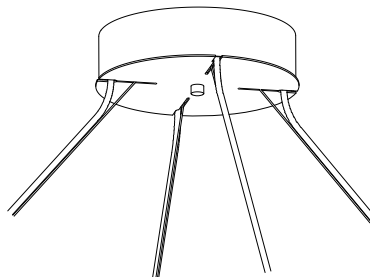


Direct

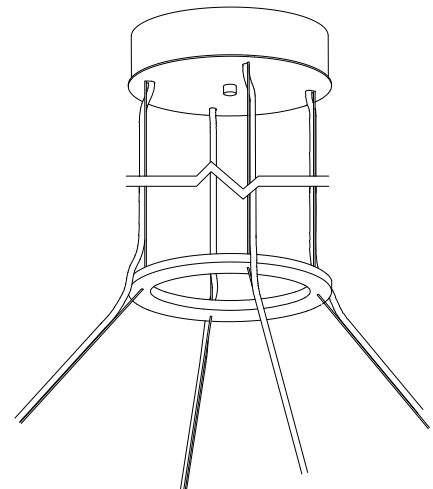
Direct and Indirect



**Straight Suspension**  
Canopy (4) 5" Ø X .29"H



**Angled Suspension**  
Canopy 8" Ø X 2"H



**Collared Suspension**  
Canopy 8" Ø X 1.7"H  
Collar 6" Ø X .25"H

© FINISH 1 - RING WALL



Walnut  
**CM-001**



Dark Stained Walnut  
**CM-002**



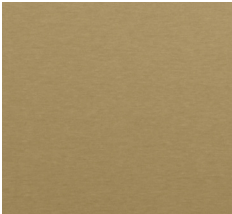
White Washed Oak  
**CM-095**



Brushed Aluminum  
**CM-012**



Rose Gold  
**CM-046**



Brushed Brass  
**CM-047**



Distressed Brass  
**CM-096**



Matte Black  
**CM-085**

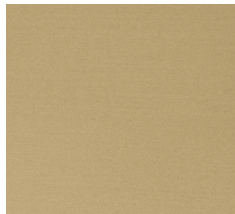


Matte White  
**CM-121**

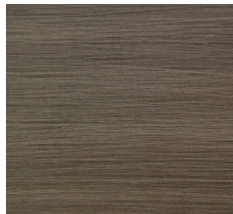
© FINISH 2 - SEAM PLATE



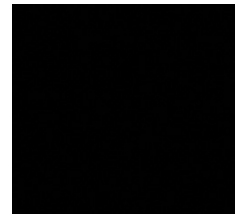
Brushed Aluminum  
**CM-119**



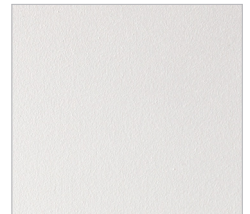
Brushed Brass  
**CM-120**



Distressed Brass  
**CM-117**



Textured Black  
Powder Coat  
**CM-049**



Textured White  
Powder Coat  
**CM-060**