

Project:

Contact:

Fill in the shaded boxes using the information listed below

Order Code	<b>R-0031</b>	-	<input type="text"/>	-	<input type="text"/>	-	<input type="text"/>	-	<input type="text"/>	-	<input type="text"/>	-	<input type="text"/>
	Model		<b>A</b> SIZE		<b>B</b> SUSPENSION		<b>C</b> FINISH 1 - RING WALL		<b>D</b> FINISH 2 - SEAM PLATE		<b>E</b> LIGHT DIRECTION		<b>F</b> LAMPING CCT
													<b>G</b> OPTION CODE

EXAMPLE ORDER CODE	R-0031	-	60	-	S	-	002	-	008	-	D	-	27	-	EM
--------------------	--------	---	----	---	---	---	-----	---	-----	---	---	---	----	---	----

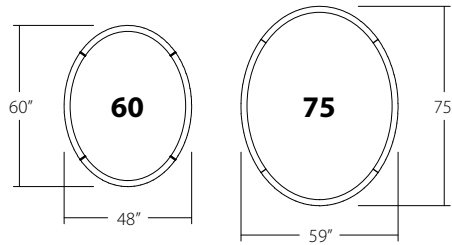


Monterey 60, angled cables, walnut ring walls, distressed brass seam plate, direct light, 3000K.

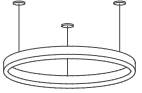
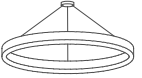
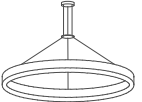


Detail of Distressed Brass seam plate with Walnut ring walls

**A** SIZE



**B** SUSPENSION

- S** Straight 
- A** Angled 
- C** Collared 

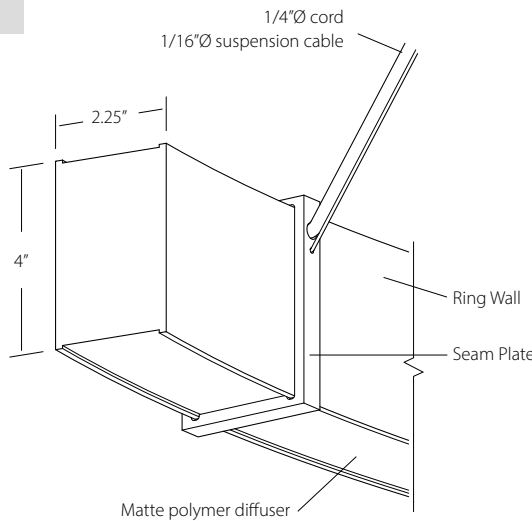
**C** FINISH 1- RING WALL

- 001** Walnut
- 002** Dark Stained Walnut
- 095** White Washed Oak
- 012** Brushed Aluminum
- 046** Rose Gold
- 047** Brushed Brass
- 096** Distressed Brass
- 085** Matte Black
- 121** Matte White

**D** FINISH 2 - SEAM PLATE

- 119** Brushed Aluminum
- 120** Brushed Brass
- 117** Distressed Brass
- 049** Textured Black
- 060** Textured White

\* Canopy finish will match seam plate



All Monterey pendants have 4 seam plates and suspension cables, number of electrical cords per model listed on page 2.

**E** LIGHT DIRECTION

- D** Direct
- B** Direct and Indirect

**F** LAMPING CCT

- 27** 2700K LED
- 30** 3000K LED
- 35** 3500K LED
- 40** 4000K LED
- CRI 90+

**G** OPTION CODE

- XD** For custom drop lengths add "XD" followed by desired *Overall Height* in inches at end of order code. Otherwise a standard 72" drop length is provided which is field cuttable.
- EM** Emergency Backup option.

Walnut and Oak fixtures are constructed of real solid wood with a natural oil finish.



Lumen Output / Wattage / Cords

Direct Light

SIZE	WATTS	DELIVERED LUMENS (DOWN)	NUMBER OF DRIVERS	WEIGHT (LBS)	NUMBER OF ELECTRICAL CORDS
60"	114	9010	2	31	2
75"	142	11415	2	33	2

Direct and Indirect Light

SIZE	WATTS	DELIVER LUMENS DOWN	DELIVERED LUMENS UP	NUMBER OF DRIVERS	WEIGHT (LBS)	NUMBER OF ELECTRICAL CORDS
60"	170	9010	4630	3	31	3
75"	210	11415	5830	3	33	3

Driver Specs

120-277VAC Input

0-10V dimming down to 1% with dim to off

Drivers to be mounted remote at a maximum distance of 50' including pendant drop distance, provided a 12 gauge wire is used

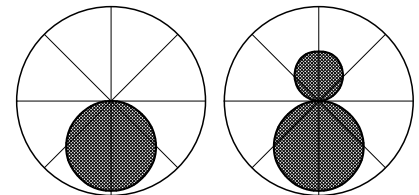
Driver dimension is 6.25" x 3" x 1.06"

See table for qty

Canopy, Suspension Cables and Electrical Cords

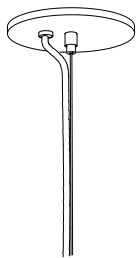
- > The Monterey is built in 4 sections and is assembled on site.
- > 1/16" aircraft cable with cable grip suspension hardware included.
- > 72" drop provided for a suspension types - add XD in order code for longer drops.
- > 24" minimum drop for angled cable suspensions.
- > Angled suspension cable angles not to be less than 30 degrees from horizontal.
- > Canopies match seam plate material finish.

Photometric Polar Graph

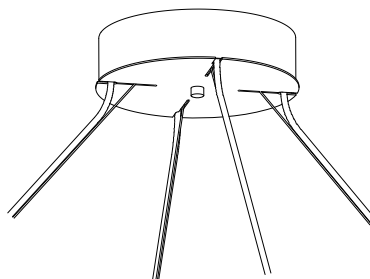


Direct

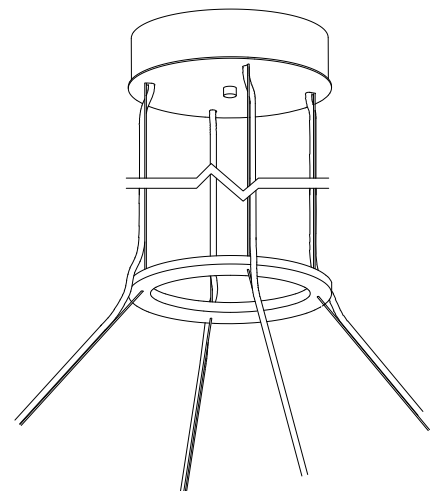
Direct and Indirect



**Straight Suspension**  
Canopy (4) 5" Ø X .29"H



**Angled Suspension**  
Canopy 8" Ø X 2"H



**Collared Suspension**  
Canopy 8" Ø X 1.7"H  
Collar 6" Ø X .25"H

© FINISH 1 - RING WALL



001  
Walnut  
(CM-001)



002  
Dark Stained Walnut  
(CM-002)



095  
White Washed Oak  
(CM-095)



012  
Brushed Aluminum  
(CM-012)



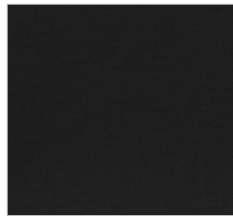
046  
Rose Gold  
(CM-046)



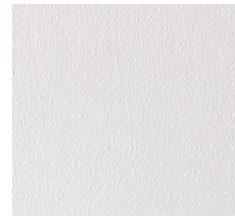
047  
Brushed Brass  
(CM-047)



096  
Distressed Brass  
(CM-096)



085  
Matte Black  
(CM-085)



121  
Matte White  
(CM-121)

© FINISH 2 - SEAM PLATE



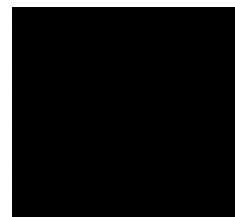
119  
Brushed Aluminum  
(CM-119)



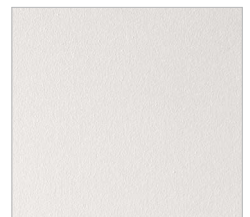
120  
Brushed Brass  
(CM-120)



117  
Distressed Brass  
(CM-117)



049  
Textured Black  
Powder Coat  
(CM-049)



060  
Textured White  
Powder Coat  
(CM-060)