



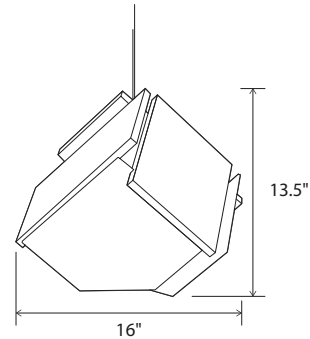
walnut



dark stained walnut



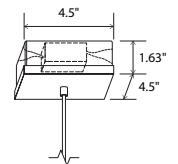
## Mica L pendant



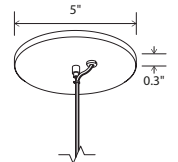
Dimensions: 16" Ø, 13.5"  
 Materials: solid wood, polymer  
 Product weight: 8 lb  
 Suitable for a sloped ceiling

### Integrated LED Specifications

Light output: 1647 Lumens (source), based on 2700K  
 Light color: 2700 K or 3500 K  
 Color accuracy: 90+ CRI  
 Power usage: 19 W  
 Dimmable: 0-10 V dimming at 120-277 V AC TRIAC and ELV dimming at 120 V AC only  
 Brushed aluminum (CM-006) extended-profile square canopy with white braided cord included  
 Canopy dimensions: 4.5" x 4.5", 1.8"  
 Canopy required to house LED driver (3.3" x 1.6" x 1.0")  
 See website for more canopy information  
 6'-0" drop length, field adjustable



Mica L Integrated LED: extended-profile square canopy w/clear braided cord



Mica L E26: low-profile round canopy with white SPT cord and steel cable

### Medium Base Specifications

Lamping: E26 base, type A lamp, 60 W max  
 Bulb not included  
 Input voltage: 250 V AC max  
 White (CM-060) low-profile round canopy with clear SVT cord included  
 Canopy dimensions: 5.5"Ø, 0.3"  
 72" drop length, field adjustable

Wood grain will vary  
 Specifications subject to change



### MATERIAL & FINISH OPTIONS

| Mica L part # 06-180-          |    |
|--------------------------------|----|
| <b>Wood Body</b>               |    |
| walnut (CM-001)                | W  |
| dark stained walnut (CM-002)   | D  |
| <b>Lamping*</b>                |    |
| 2700 K LED                     | 27 |
| 3500 K LED                     | 35 |
| medium base E26 socket         | MB |
| <b>Driver</b>                  |    |
| 120 V AC input voltage         | P1 |
| TRIAC, ELV, or 0-10 V dimmable |    |

**Includes:** frosted polymer (CM-024)

\*Available in 3000K, 4000K and other color temperatures upon request



walnut (CM-001)



dark stained walnut (CM-002)

*The Mica is simply a cube, which has been carefully deconstructed to a sculptural state. By way of the fixture's orientation and petal material composition, it exudes a certain organic symmetry. The Mica accent pendant acts as a beautiful node, creating a sense of space marked with an ambient glow.*

Nick Sheridan,  
 Designer

