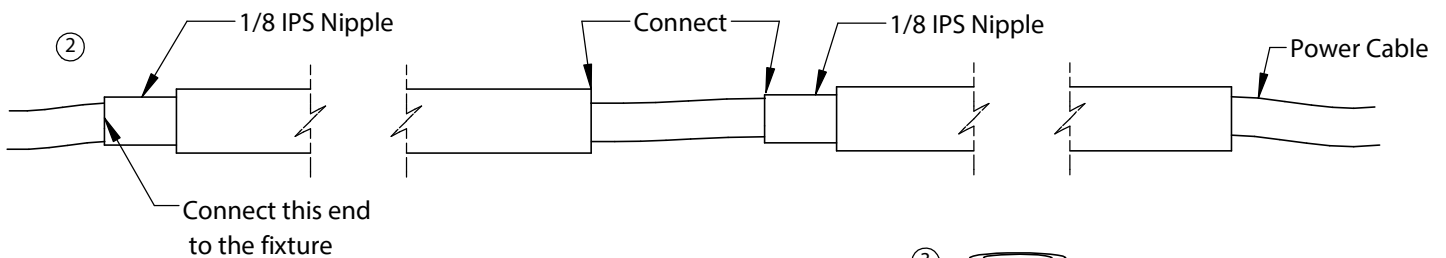
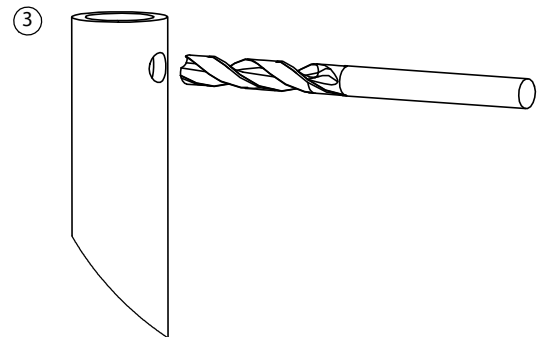


1) Grab the three segments that make up the rigid stem. Each stem will have a 1/8IPS nipple on one end.

2) Feed the power cable from the fixture through a lock nut and one of the stems, starting at the end with the 1/8IPS nipple. Thread the 1/8IPS nipple into the threaded adapter on top of the fixture and fasten the lock nut with a wrench to secure the stem to the fixture. Feed the power cable through the second stem, starting at the end with the 1/8IPS nipple and connect the stems.

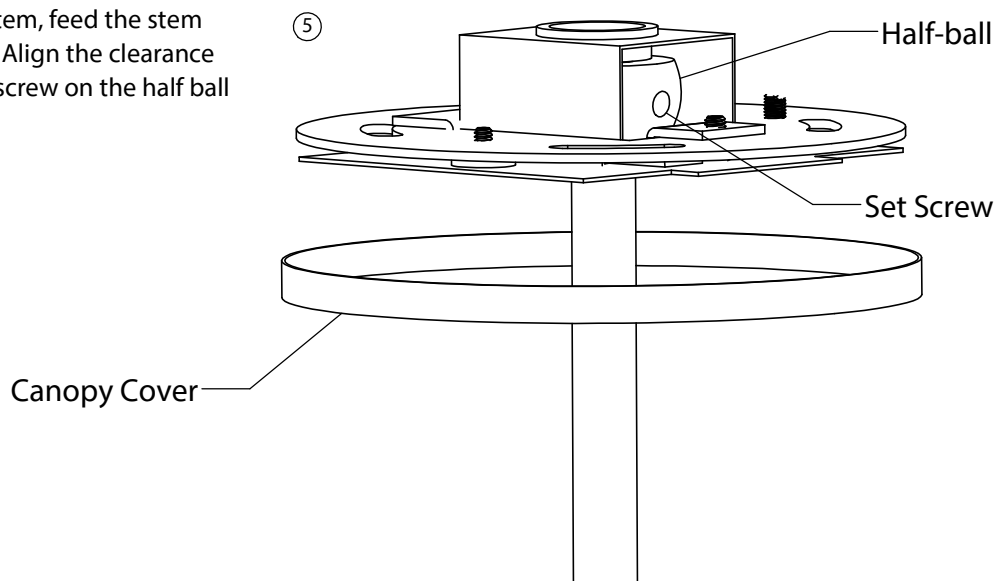


3) If needed, cut the final stem to the desired drop length. Drill a hole in the top of the stem using the included 5/32 drill bit, and feed the power cord through the final stem.



4) Install the canopy mounting plate to the junction box using the included 8-32 screws.

5) With the canopy cover on the rigid stem, feed the stem through the center hole of the canopy. Align the clearance hole in the stem with the tip of the set screw on the half ball to secure the fixture.



6) Make the electrical connections as shown below using the provided wire nuts.  
OPTIONAL: For 0-10V dimming control, connect the purple and gray wires to a 0-10V dimming signal.

7) Install the mounting plate assembly onto the junction box using the supplied 8-32 screws.

8) Install the canopy cover over the mounting plate assembly. The canopy cover will attach to the mounting plate magnetically.

