

General Product Information

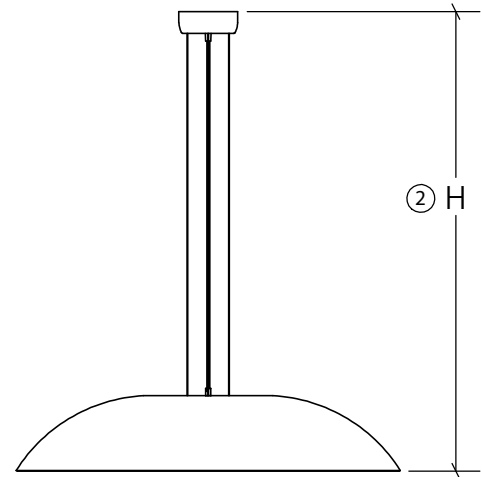
This product is suitable for indoor, dry and damp locations only.

Junction Box Requirements: This fixture can be mounted to most standard junction boxes. It is the installer's responsibility to ensure that the site conditions, junction box, and fasteners used are suitable to support the weight of the fixture.

Damage due to incorrect connections can be detected at the factory and is not covered under warranty.

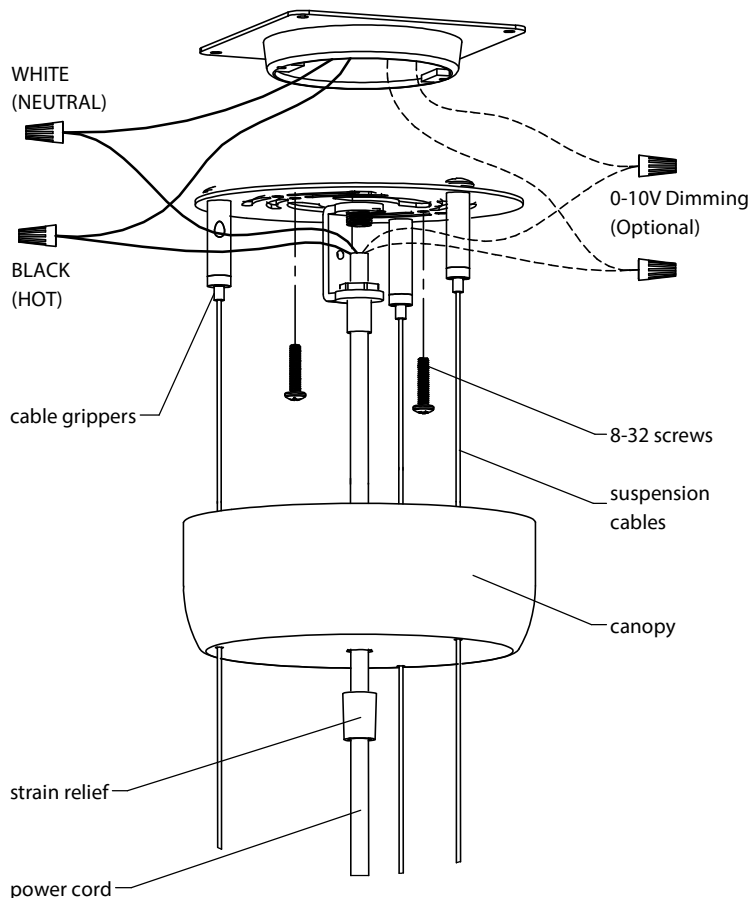
Fixture can be dimmed with 0-10V dimming only.

This fixture must be connected to an undimmed AC circuit. Attempting to control/dim the fixture with TRIAC or ELV dimming may cause irreversible damage to the integrated LED driver.



CAUTION - RISK OF FIRE

This product requires installation by a qualified electrician. Before installing be sure to read all instructions and **TURN POWER OFF TO THE JUNCTION BOX**



- ① Feed the power cord through the strain relief and canopy. Feed the suspension cables through the canopy.
- ② Measure the desired height (H) that you want the fixture to hang below the ceiling and adjust the length of the of the suspension cables to roughly the desired length by pushing them into the cable grippers in the crossbar assembly. Final adjustments can be made after the fixture has been mounted.
- ③ Pull the line voltage wires from the junction box. Make electrical connections between the fixture leads and line voltage leads.

CRITICAL NOTE: If 0-10V dimming control is to be used, connect the 0-10V driver output leads to the 0-10V dimmer. Otherwise, the tinned ends of these leads should be snipped off and the leads should be capped individually such that they remain isolated from one another.

- ④ Use the supplied 8-32 screws to secure the crossbar assembly to the junction box.
- ⑤ Level the fixture by making small adjustments to the length of each suspension cable. Pressing the small cylinder on the cable gripper will release the grip in the suspension cable.
- ⑥ Push the canopy up until the canopy is flush with the ceiling. Screw the strain relief on the onto the threaded nipple from the crossbar assembly. Use a screw driver to tighten the set screw on the side of the strain relief until it grips onto the cord.

