

General Product Information

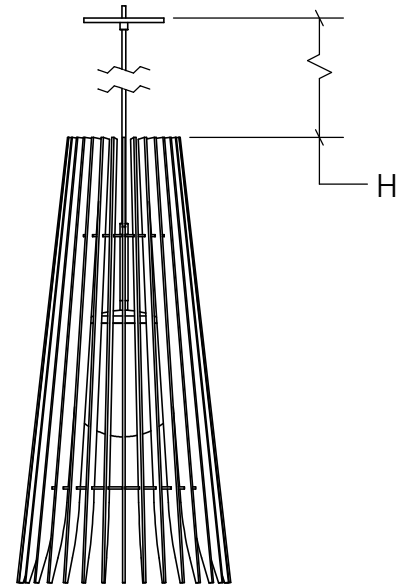
This product is suitable for indoor, dry and damp locations only.

Junction Box Requirements: This fixture can be mounted to most standard junction boxes. It is the installer's responsibility to ensure that the site conditions, junction box, and fasteners used are suitable to support the weight of the fixture.

Damage due to incorrect connections can be detected at the factory and is not covered under warranty.

CAUTION - RISK OF FIRE

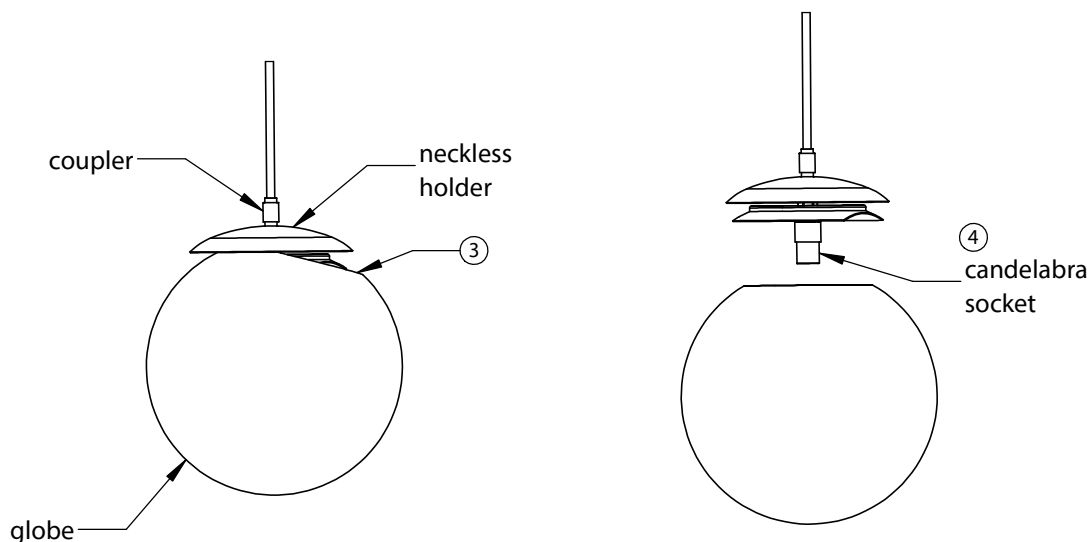
This product requires installation by a qualified electrician. Before installing be sure to read all instructions and **TURN POWER OFF TO THE JUNCTION BOX**



- ① Measure desired height (H).

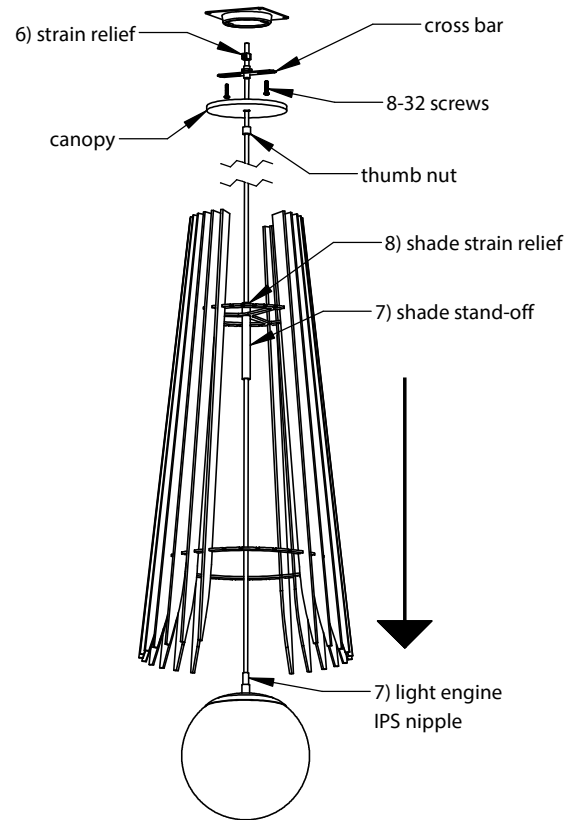
Socketed Version Only (skip to step 6 for Integrated LED)

- ② Loosen the coupler at the top of the light globe to release the neckless holder.
- ③ Once the neckless holder is loose enough, slide the globe off the socket.
- ④ Install your desire bulb into the candelabra socket (G16.5 frosted lamp recommended).
- ⑤ Slide the globe back on the socket and tighten the coupler to secure the globe.

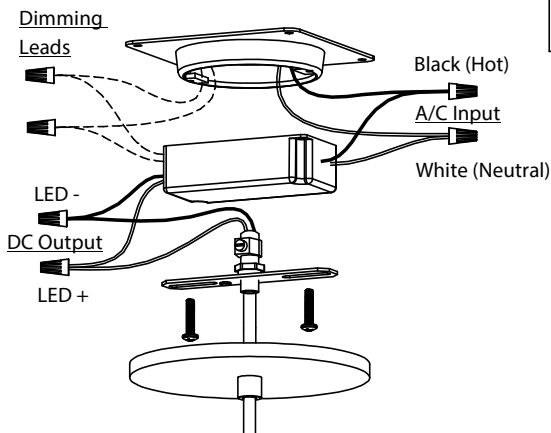


Integrated LED and Socketed

- ⑥ Slip the light engine cable through the shade stand-off, thumb nut, canopy, cross bar, and strain relief in that order. Tighten the strain relief at the desired height (H). See the image to the right (wood slats removed in the image for visibility).
- ⑦ Sit the shade on the light engine, slipping the shade stand-off over the IPS nipple on the light engine.
- ⑧ Tighten the strain relief set screw on the shade to lock it in place.
- ⑨ Make electrical connections and push all excess wires and connections into the junction box (see below for details).
- ⑩ Fasten the crossbar to the junction box with the supplied 8-23 screws.
- ⑪ Slide canopy up and tighten the thumb nut to secure.

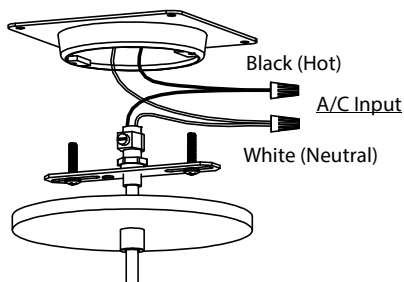


Integrated LED Electrical Connections



- ① Pull the A/C line voltage wires from the junction box and make connections to driver input.
- ② Connect DC driver output to the fixture input.
- ③ CRITICAL NOTE: If 0-10V dimming control is to be used, connect the dimming leads between the building to the driver. Otherwise, the tinned ends of these leads should be snipped off and the leads should be capped individually such that they remain isolated from one another.

Socketed Electrical Connections



- ① Pull the A/C line voltage wires from the junction box and make connections to the fixture input.

