

General Product Information

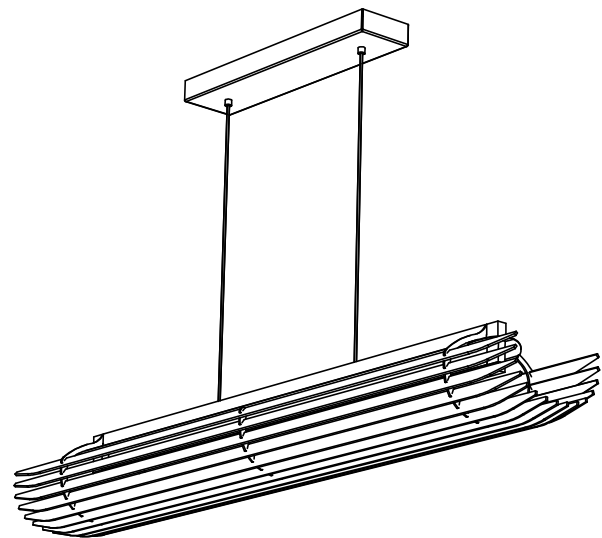
This product is suitable for indoor dry and damp locations only.

Junction Box Requirements: This fixture can be mounted to most standard junction boxes. It is the installer's responsibility to ensure that the site conditions, junction box, and fasteners used are suitable to support the weight of the fixture.

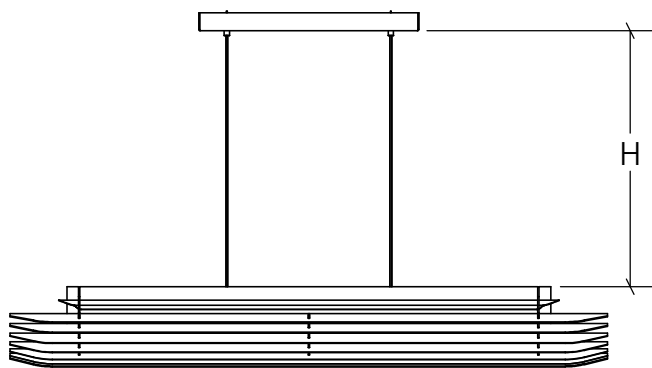
Damage due to incorrect connections can be detected at the factory and is not covered under warranty.

CAUTION - RISK OF FIRE

This product requires installation by a qualified electrician. Before installing be sure to read all instructions and TURN POWER OFF TO THE JUNCTION BOX

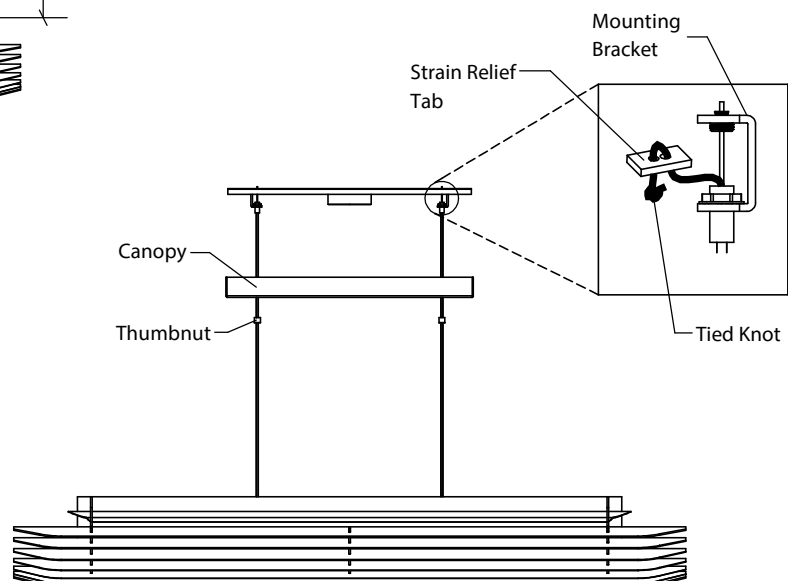


Adjusting the Fixture Height



- ① Measure the desired height (H) of the fixture.

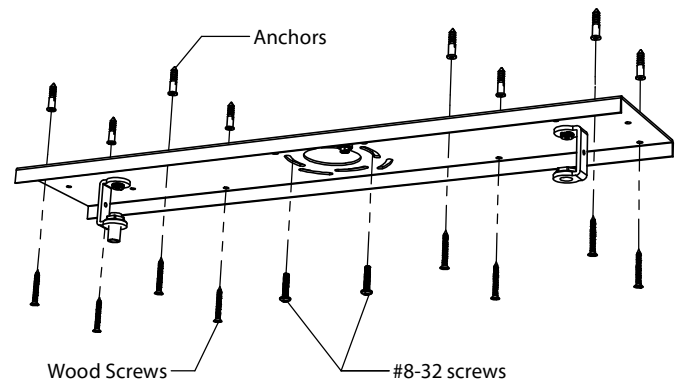
- ② Feed the cables through the following parts in this order: canopy thumbnut, canopy, mounting bracket, and strain relief tab.
- ③ After feeding through the strain relief tab, tie a knot using the mesh of the cable while maintaining the desired height (H).



Mounting the Fixture and Electrical Connections

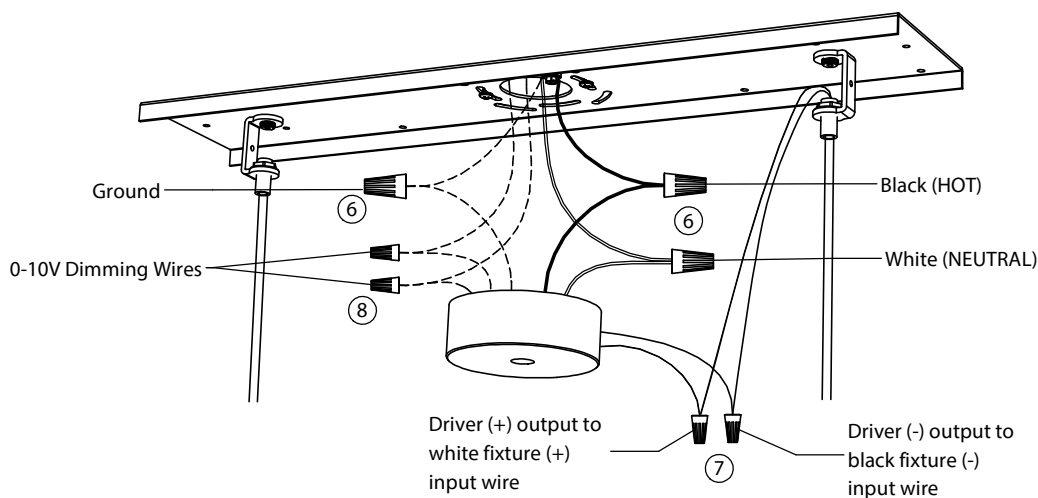
- ④ Secure the mounting plate to the junction box using the #8-32 machine screws.
- ⑤ Fasten the mounting plate to the ceiling using the provided wood screws. (Optional: use the back plate as a template for the provided anchors)

WARNING: The included anchors are supplied only as a convenience. It is the responsibility of the installer to verify that the installation conditions and hardware used are suitable for supporting the load of the fixture.



- ⑥ Pull the line voltage wires through the center hole in the mounting plate. Use wire nuts to make connections between line voltage wires and the driver. Use the ground screw on the mounting plate to ground the fixture.
- ⑦ Use wire nuts to make wire connections between the low voltage driver output leads and the fixture input leads. Connect the (+) driver output to the (+) fixture input and connect the (-) driver output to the (-) fixture input. See driver label for driver wire colors.
- ⑧ (Optional) If using 0-10V dimming control, connect the 0-10V LED driver leads to the leads from the remote 0-10V dimmer.

CRITICAL NOTE: If 0-10V dimming is not being used, the tinned ends of the 0-10V LED driver leads should be snipped off and capped individually such that they remain isolated from one another.



Securing the Canopy

- ⑨ Place the canopy over the mounting plate and secure the canopy onto the mounting plate using the canopy thumbnuts.

