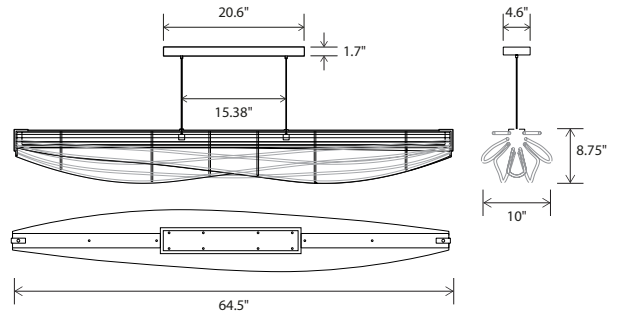


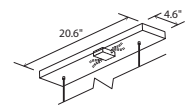
Bret, Dan and I have always loved the ocean and boats. In fact, the first project we built together as young boys was a sailboat. Our appreciation for the beauty of a well-designed craft is what initially inspired the Lenis fixture; the form is created by bending wood stringers over a series of bulkheads. The organic and sculptural structure deviates from our mostly rectilinear forms, which introduced many new challenges, yet it also breathed new life into the design process for us. Ultimately, we were searching for that balance between the curved fluidity of its lines and the twisting movement. Thanks to our team's determination, after countless studies and prototypes, we found the balance we were looking for.

Nick Sheridan,
Co-Designer

Lenis linear pendant



Dimensions: 64.5" x 10" , 8.75"
 Materials: aluminum, stretch fabric
 Product weight: 10 lb
 Light source: integrated LED
 Light output: 5000 Lumens (source)
 Light color*: 2700 K or 3500 K
 Color accuracy: 90+ CRI
 Power usage: 70 W
 Dimmable (see driver below)
 Brushed Aluminum (CM-006) linear canopy included
 Canopy dimensions: 20.6" x 4.6" x 1.7"
 Wood canopy covers are available:
 Walnut (CM-001) cover: part # 60-241-001W
 Dark Stained Walnut (CM-002) cover: part # 60-241-001D
 White Washed Oak (CM-095) cover: part # 60-241-001O
 See website for more canopy information
 6'-0" drop length, field adjustable
 Suitable for a sloped ceiling
 Wood grain will vary
 Specifications subject to change
 Patent # USD857968S1



MATERIAL & FINISH OPTIONS

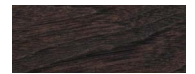
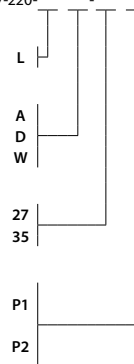
Lenis part # 07-220-

Shade
 white stretch fabric (CM-079)

End Detail
 brushed aluminum (CM-006)
 dark stained walnut (CM-002)
 walnut (CM-001)

Lamping*
 2700 K LED
 3500 K LED

Driver
 120 V AC input voltage
 TRIAC, ELV & 0-10 V dimming
 277 V AC input voltage
 TRIAC, ELV & 0-10 V dimming



Includes: brushed aluminum (CM-006)

*Available in 3000K, 4000K and other color temperatures upon request.

