

Bret, Dan and I have always loved the ocean and boats. In fact, the first project we built together as young boys was a sailboat. Our appreciation for the beauty of a well-designed craft is what initially inspired the Lenis fixture; the form is created by bending wood stringers over a series of bulkheads. The organic and sculptural structure deviates from our mostly rectilinear forms, which introduced many new challenges, yet it also breathed new life into the design process for us. Ultimately, we were searching for that balance between the curved fluidity of its lines and the twisting movement. Thanks to our team's determination, after countless studies and prototypes, we found the balance we were looking for.

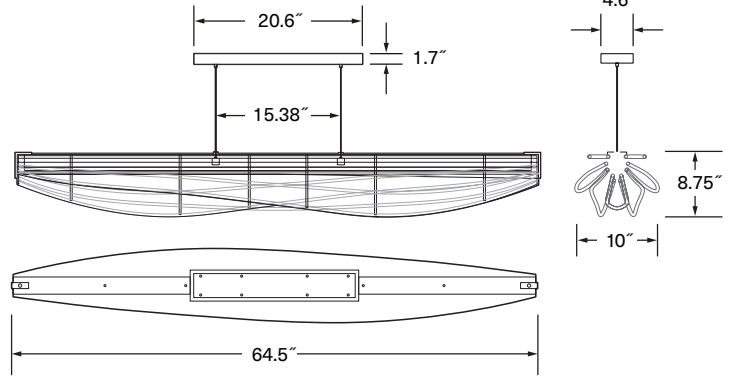
LUTRON Native by Design™

Shared vision, exceptional results. Native by Design merges Lutron's intelligent lighting and technology with world-class design partners to create experiences that neither could achieve alone.

Design spaces to look and feel better with quality light. Lutron Intelligent Lighting replicates the natural color of daylight, offers a broad range of color temperatures, and renders objects truthfully under a rich spectrum. It's a difference you can feel.

Lenis with Lutron

linear pendant

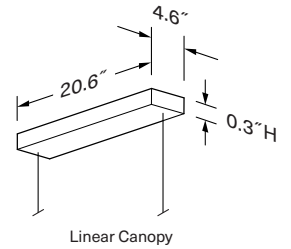


Dimensions: 64.5" x 10" , 8.75"
 Materials: aluminum, stretch fabric
 Product weight: 10 lb

Lamping Specifications:
 Rania Natural White Tape Light
 SKU: LU-T05-RANIA-IN
 LED tape length: 10.3 ft
 Light output: 3617 Lumens (source)
 Power usage: 48 W

Product requires Lutron Multi-Channel Wireless Controller & Tape Light Power Interface which are NOT included*

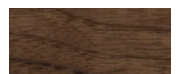
Suspension Details:
 Brushed Aluminum linear canopy included
 Canopy dimensions: 20.6" x 4.6" x 1.7"
 Wood canopy covers are available:
 Walnut cover: part # 60-241-001W
 Dark Stained Walnut cover: part # 60-241-001D
 White Washed Oak cover: part # 60-241-001O
 See website for more canopy information
 6'-0" drop length, field adjustable
 Suitable for a sloped ceiling
 Wood grain will vary
 Specifications subject to change
 Patent # USD857968S1



linear canopy, brushed aluminum (CM-006)



brushed aluminum (CM-006)



walnut (CM-001)



dark stained walnut (CM-002)

MATERIAL & FINISH OPTIONS

Lenis with Lutron part # 07-221-

Shade
 white stretch fabric (CM-079)

End Detail
 brushed aluminum (CM-006)
 dark stained walnut (CM-002)
 walnut (CM-001)

Driver
 Rania Natural White Tape Light, High Output*

*See Rania Natural White Tape Light spec sheet or contact Lutron for more information.

