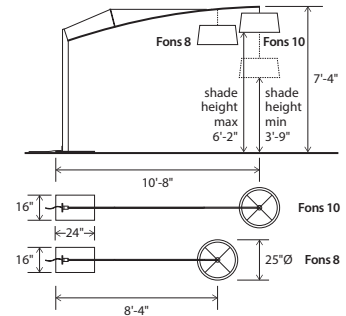


Fons 8 / 10
floor lamp



Dimensions: 25" Ø shade, 7'-4"
 Materials: solid wood, metal, linen shade
 Product weight: 65 lb
 Light source: medium base E26 socket
 Lamping: E26 base, type A lamp, 60 W max
 Input voltage: 120 V AC max
 Includes 72" clear silver cord with inline foot switch 24" from base
 Bottom diffuser included (CM-051)
 Wood grain will vary
 Specifications subject to change
 Included dimmable LED A19 bulb
 Light output: 800 Lumens (source)
 Light color: 2700 K
 Color accuracy: 90+ CRI
 Power usage: 11 W



MATERIAL & FINISH OPTIONS

Fons part # 05-600-

Boom Arm brushed aluminum (CM-006)	A	
Wood Body walnut (CM-001)	W	
Fabric Shade white linen (CM-016)	L	
Arm length 8'	E	
10'	T	

Includes:

stainless steel tension cable (CM-053)
 black powder coated steel base (CM-049)
 frosted polymer diffuser (CM-051)

Alternate voltage / plug styles are available

ARM LENGTH

Available in 10'-8" and 8'-4" arm lengths
 Arm length is from back of base to center of shade
 Arm lengths are not adjustable

SHADE HEIGHT

Shade height (floor to bottom edge of shade)
 can be adjusted between 6'-2" maximum and 3'-9" minimum

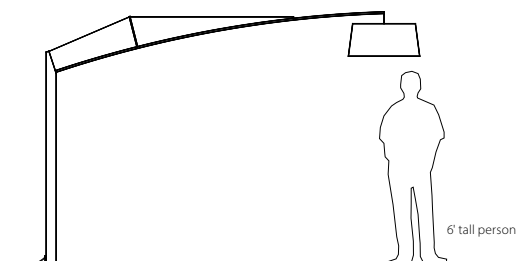


walnut (CM-001)



The goal with the Fons was to minimize the structure and visual massing of the fixture while maximizing the reach or cantilever. The delicate boom arm, upheld by a tension cable, gently bends while reaching out to almost horizontal where it suspends the light. The structural design is an extremely effective way to resolve the forces associated with such a long reach. It is so effective and efficient that it seems to float with a weightlessness at the tip.

Nick Sheridan
Designer



WARNING. California Proposition 65 Warning for California Consumers. This product can expose you to chemicals including wood dust and lead which are known to the State of California to cause cancer or birth defects or other reproductive harm. For more information go to www.P65Warnings.ca.gov