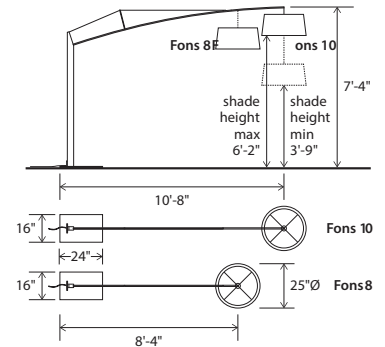


Fons 8 / 10 floor lamp



Dimensions: 25" Ø shade, 7'-4"  
 Materials: solid wood, metal, linen shade  
 Product weight: 65 lb  
 Light source: medium base E26 socket  
 Lamping: E26 base, type A lamp, 60 W max  
 Input voltage: 120 V AC max  
 Includes 72" clear silver cord with inline foot switch 24" from base  
 Bottom diffuser included (CM-051)  
 Wood grain will vary  
 Specifications subject to change  
 Included dimmable LED A19 bulb  
 Light output: 800 Lumens (source)  
 Light color: 2700 K  
 Color accuracy: 90+ CRI  
 Power usage: 11 W



**MATERIAL & FINISH OPTIONS**

Fons part # 05-600-

<b>Boom Arm</b> brushed aluminum (CM-006)	A	
<b>Wood Body</b> walnut (CM-001)	W	
<b>Fabric Shade</b> white linen (CM-016)	L	
<b>Arm length</b> 8" 10'	E T	

**Includes:**  
 stainless steel tension cable (CM-053)  
 black powder coated steel base (CM-049)  
 frosted polymer diffuser (CM-051)

Alternate voltage / plug styles are available

**ARM LENGTH**  
 Available in 10'-8" and 8'-4" arm lengths  
 Arm length is from back of base to center of shade  
 Arm lengths are not adjustable

**SHADE HEIGHT**  
 Shade height (floor to bottom edge of shade)  
 can be adjusted between 6'-2" maximum and 3'-9" minimum

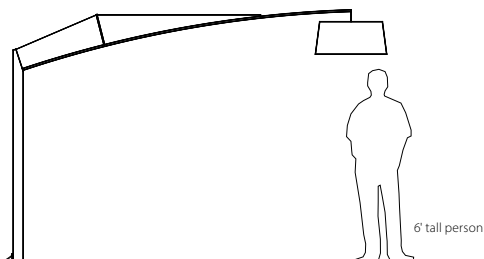


walnut (CM-001)



The goal with the Fons was to minimize the structure and visual massing of the fixture while maximizing the reach or cantilever. The delicate boom arm, upheld by a tension cable, gently bends while reaching out to almost horizontal where it suspends the light. The structural design is an extremely effective way to resolve the forces associated with such a long reach. It is so effective and efficient that it seems to float with a weightlessness at the tip.

Nick Sheridan  
 Designer



**▲WARNING.** California Proposition 65 Warning for California Consumers. This product can expose you to chemicals including wood dust and lead which are known to the State of California to cause cancer or birth defects or other reproductive harm. For more information go to [www.P65Warnings.ca.gov](http://www.P65Warnings.ca.gov)