

cerno



DESIGNED AND MADE IN CALIFORNIA

Cura Pendant



raw walnut

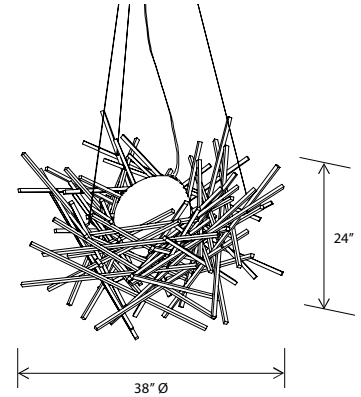


raw white oak



The intricacy, integrity, and architecture of nests found in the wild are breathtaking and what ultimately inspired the Cura. Nests embody resourcefulness and innovation. Like human homes, nests protect our most precious and sacred creations, our offspring.

Cura pendant



- Dimensions: 38" Ø, 24"
- Materials: solid wood, paper mache
- Product weight: 12 lb
- Light source: LED, candelabra base E12 socket
- Light output: 950 Lumens (source)
- Light color: 2700K or 3000K
- Color accuracy: 90+ CRI
- Input Voltage: 100-130 V AC
- Round canopy with clear SPT wire and stainless steel suspension cables
- See technical specifications for more canopy information
- 96" max drop length, field adjustable
- Wood grain will vary
- Specifications subject to change



MATERIAL & FINISH OPTIONS

Cura pendant part # 06-320-

Wood Body

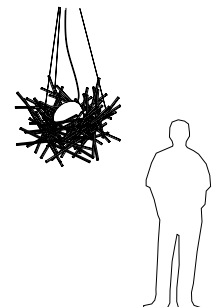
- raw walnut (CM-130) **W**
- raw white oak (CM-131) **O**

Canopy

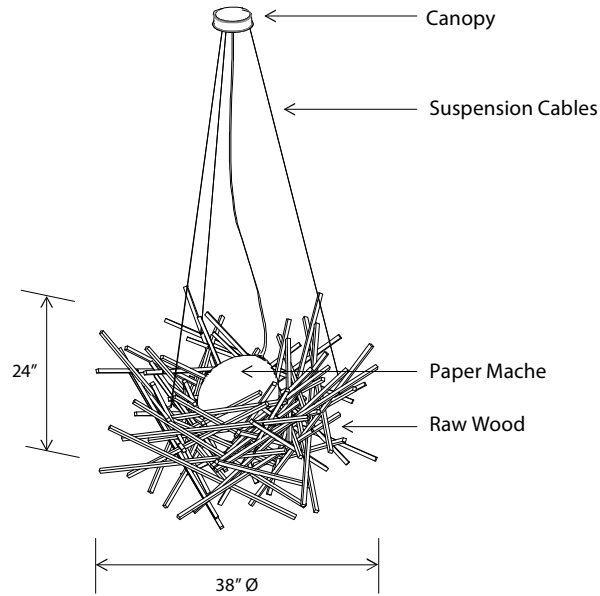
- textured white (CM-060) **W**
- textured black (CM-049) **B**

Lamping

- 2700 K **27**
- 3000 K **30**



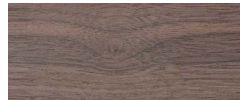
▲WARNING. California Proposition 65 Warning for California Consumers. This product can expose you to chemicals including wood dust and lead which are known to the State of California to cause cancer or birth defects or other reproductive harm. For more information go to www.P65Warnings.ca.gov



TECHNICAL SPECIFICATIONS

Lamping: E12 base, type T8 lamp, 9.5 W max
Dimmability: TRIAC & ELV dimmable
Canopy dimensions: 5.5" Ø, 1.5"
1/32" aircraft cable with grip suspension hardware included
96" drop provided, field adjustable to 24" minimum
Dimmability: Triac or ELV

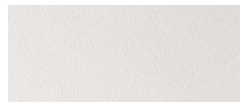
FINISHES



raw walnut (CM-130)



raw white oak (CM-131)



textured white (CM-060)



textured black (CM-049)