



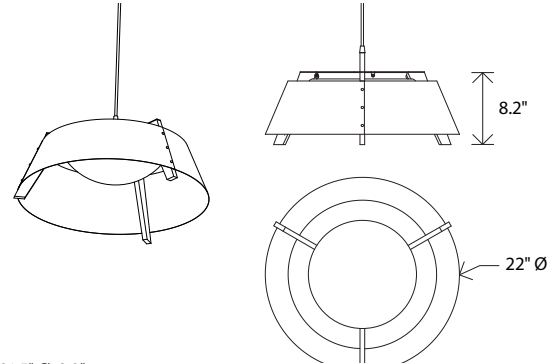
distressed brass , walnut



white gloss , white washed oak

The Casia Pendant was a natural progression after releasing the Casia Flush Mount in early 2020. The wood arms, metal shade, and glass diffuser combine to create a minimalist form well suited for a modern environment or a traditional space. Each carefully selected material plays an integral role in the aesthetic design and performance.

## Casia 22 pendant



Dimensions: 21.5" Ø, 8.2"  
 Product weight: 5 lb  
 Light Color Options:  
 2700 K - 1981 Lumens (source)  
 3500 K - 2083 Lumens (source)  
 Color accuracy: 90+ CRI  
 Power usage: 23 W  
 Dimmable (see power options below)  
 Low profile round canopy with SVT-3 Cable  
 Canopy dimensions: 5" Ø, 0.3"  
 See website for more canopy information  
 Field adjustable drop length: 0'6" min - 8'0" max  
 Gloss White (CM-054) shade option ships with Textured White Powder Coat Canopy and SVT-3 Cable, White (CM-040)  
 All other shade option ship with Textured Black Powder Coat (CM-049) and SVT-3 Cable, Black (CM-039)  
 Suitable for a sloped ceiling  
 Wood grain will vary  
 Specifications subject to change



JA8-2019 Compliant

### MATERIAL & FINISH OPTIONS

Casia 22 pendant part # 06-280-22

#### Shade Material

matte black (CM-085) w/matte white interior  
 distressed brass (CM-009)  
 gloss white (CM-054)

#### Wood Body

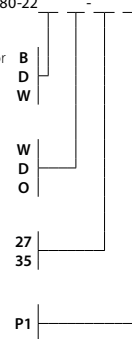
walnut (CM-001)  
 dark stained walnut (CM-002)  
 white washed oak (CM-095)

#### Lamping\*

2700 K LED  
 3500 K LED

#### Power Option

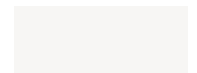
120 V AC input voltage  
 TRIAC and ELV dimming



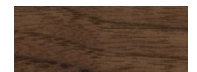
matte black (CM-085)



distressed brass (CM-009)



gloss white (CM-054)



walnut (CM-001)



dark stained walnut (CM-002)



white washed oak (CM-095)

**Includes:** white glass diffuser (CM-109)

Available in a flush mount version.

\*Available in 3000K, 4000K and other color temperatures upon request.

