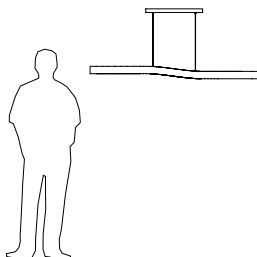


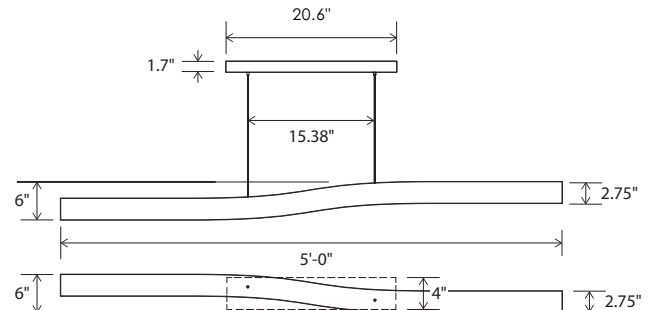


*Light and delicate, subtly unique while simple, the Camur must be experienced to really be appreciated. The gentle curve appears from the bottom just the same as it does from the side: but the perspectives found between the two intrigue.*

*Nick Sheridan,  
Designer*



## Camur linear pendant



Dimensions: 5'0" x 2.75", 2.75"

Materials: solid wood, polymer

Product weight: 6 lb

Light source: integrated LED

Light output: 2500 Lumens (source)

Light color: 2700 K or 3500 K

Color accuracy: 90+ CRI

Power usage: 35 W

Dimmable (see driver below)

Brushed aluminum (CM-006) Camur canopy included

Canopy dimensions: 20.6" x 4.6", 1.7"

Wood camur canopy covers are available:

Walnut (CM-001) wood camur canopy cover:

part # 60-150-005W

Dark stained walnut (CM-002) wood camur canopy cover:

part # 60-150-005D

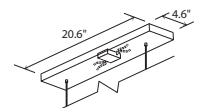
See website for more canopy information

6'-0" drop length, field adjustable

Suitable for a sloped ceiling

Wood grain will vary

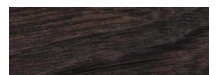
Specifications subject to change



linear canopy, brushed aluminum



walnut (CM-001)



dark stained walnut (CM-002)

### MATERIAL & FINISH OPTIONS

Camur part # 07-210-

#### Wood Body

walnut (CM-001)

dark stained walnut (CM-002)

#### Lamping\*

2700 K LED

3500 K LED

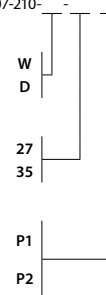
#### Driver

120 V AC input voltage

TRIAC, ELV & 0-10 V dimming

277 V AC input voltage

TRIAC, ELV & 0-10 V dimming



\* Available in 3000K, 4000K and other color temperatures upon request.

The true beauty of the Camur is difficult to appreciate in print. When experiencing this fixture in person you begin to see the subtlety and grace of its vertical and horizontal movements. As you walk around this fixture the shape will morph from a beautiful curve to a straight line.

We have created a video to help celebrate these details at:  
[cernogroup.com/products/camur/](http://cernogroup.com/products/camur/)