

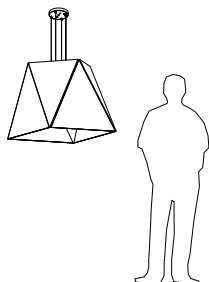


brushed brass, walnut

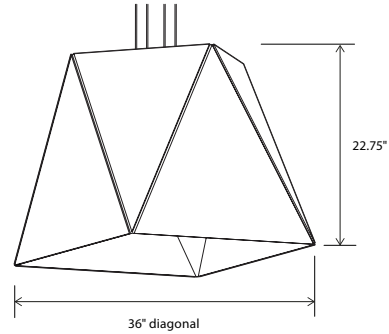


The Calx is an example of modern design where the methods and the materials themselves are integral to its very conception, aligning form and function, which creates a synergy that is evident. The fixture ultimately forms a square aperture but enjoys a beautifully simple faceted structure.

Nick Sheridan,  
Designer



## Calx 36 pendant



Dimensions: 25" x 25", 22.75"  
 Materials: wood, metal, polymer  
 Product weight: 18 lb  
 Light source: 4x GU-24 base socket  
 Lamping: 4x GU-24 base, 18 W max each  
 Bulbs not included  
 Input voltage: 300 V AC max  
 White (CM-060) 8" round canopy included  
 Canopy dimensions: 8"Ø, 1.25"  
 See website for more canopy information  
 8'-0" drop length, field adjustable  
 Suitable for a sloped ceiling  
 Wood grain will vary  
 Specifications subject to change



### MATERIAL & FINISH OPTIONS

Calx 36 part # 06-200-36

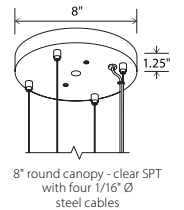
#### Metal Finish

brushed aluminum (CM-012) **A**  
 brushed rose gold (CM-046) **G**  
 brushed brass (CM-047) **R**

#### Wood Finish

walnut (CM-055) **W**  
 dark stained walnut (CM-056) **D**  
 white washed oak (CM-095) **O**

**Includes:** frosted polymer diffuser (CM-057)  
 Other sizes and Calx sconce also available.



8" round canopy - clear SPT with four 1/16" Ø steel cables



brushed aluminum (CM-012)



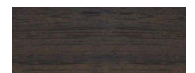
brushed brass (CM-047)



brushed rose gold (CM-046)



walnut (CM-055)



dark stained walnut (CM-056)



white washed oak (CM-095)