

Project

Contact

Fill in the shaded boxes using the information listed below

Order Code **R-0040** - - - - - -

Model **A** SIZE **B** FINISH **C** LAMPING CCT **D** LIGHT OUTPUT **E** OPTION CODE

EXAMPLE ORDER CODE R-0040 - 36 - 029 - 30 - F - EM

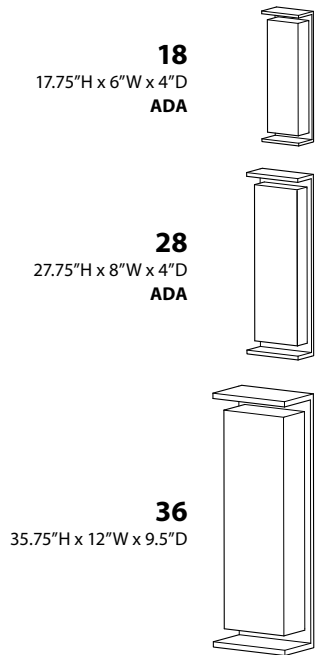


Balboa sconce 18, brass, 3000K.



Balboa sconce 18, walnut, 3000K.

A SIZE



B FINISH

WOOD

- 001** Walnut
- 002** Dark Stained walnut
- 095** White Washed Oak

METAL

- 119** Brushed Aluminum
- 120** Brushed Brass
- 117** Distressed Brass

POWDER COAT*

- 049** Textured Black
- 060** Textured White
- 029** Oil Rubbed Bronze

* Custom Powder Coated colors available.

Walnut and Oak fixtures are constructed of real solid wood with a natural oil finish.

Metal and powder coated fixtures are constructed of solid aluminum bar stock.

C LAMPING CCT

- 27** 2700K LED
- 30** 3000K LED
- 35** 3500K LED
- 40** 4000K LED

CRI 90+

D LIGHT OUTPUT

- F** Full Output - Wattage
 - R** 50% Reduced Output - Wattage
 - C** Custom Reduction Percentage
- Custom Reduction Percentage - to reduce both lumens and wattage.

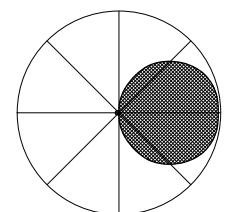
E OPTION CODE

- EM** Emergency Backup option.

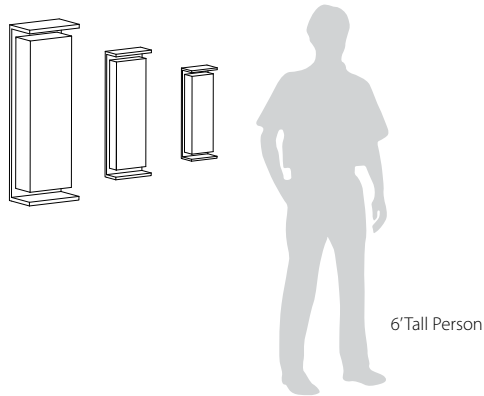
Lumen Output / Wattage / Weight

SIZE	LUMENS DELIVERED	WATTAGE	WEIGHT (LBS) WOOD VERSION	WEIGHT (LBS) METAL VERSION
18	1290	18	5	8
28	1810	25	10	14
36	2905	40	29	38

Photometric Polar Graph



Relative Scale



Driver Specs

120-277VAC Input
0-10V dimming down to 1% with dim to off

Driver is integrated into the fixture

FINISH

WOOD



001
Walnut
CM-001



002
Dark Stained Walnut
CM-002



095
White Washed Oak
CM-095

METAL



119
Brushed Aluminum
CM-119

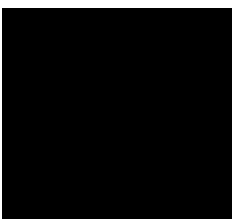


120
Brushed Brass
CM-120

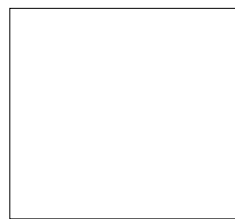


117
Distressed Brass
CM-117

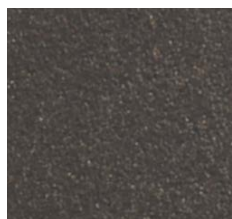
POWDER COAT



049
Textured Black
CM-049



060
Textured White
CM-060



029
Oil Rubbed Bronze
CM-029