



distressed brass



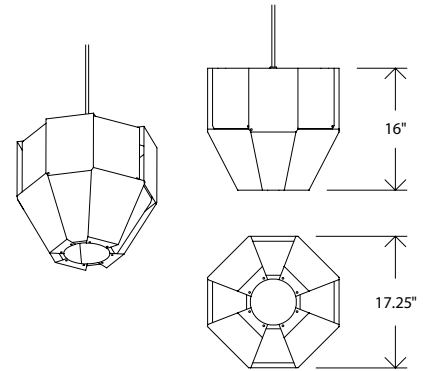
matte black with matte white



gloss white

*Inspiration for the Astrum dates back to the first light fixture the three of us ever made after starting Cerno. The varying depths of the flat panels strategically obstruct a direct view of the light source. Light reflects off the inside of the outer panels and bounces off the inner panels producing a halo washing effect. The oculus at the bottom functions to emit a useful amount of downlighting. This design manages to pay homage to past modern designs while also feeling a bit futuristic.*

## Astrum 17 pendant



Dimensions: 17.25" x 17.25", 16"  
 Product weight: 4 lb  
 Suitable for a sloped ceiling

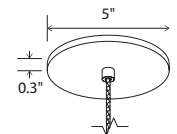
### Integrated LED Specifications

Light output: 1690 Lumens (source)  
 Light color: 2700 K, 3000 K, 3500 K or 4000 K  
 Color accuracy: 90+ CRI  
 Power usage: 19.5 W  
 Dimmable (see driver below)  
 Driver must be housed in J-box  
 Driver dimensions: 3.3" x 1.6" x 1", included

### E26 Medium Base Specifications

Lamping: E26 base, type A lamp, 60 W max  
 Input voltage: 250 V AC max  
 Bulb not included

Textured Black Powdercoat (CM-049) low-profile round canopy with SVT-3 Cable, Black (CM-039)  
 Canopy dimensions: 5" Ø, 0.3"  
 See website for more canopy information  
 Field adjustable drop length: 0'6" min - 8'0" max  
 Specifications subject to change



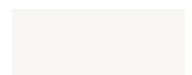
black low-profile round canopy with braided cord



matte black (CM-085)



distressed brass (CM-096)



gloss white (CM-054)

### MATERIAL & FINISH OPTIONS

Astrum 17 part # 06-270-17

#### Shade Material

matte black (CM-085) with matte white interior  
 distressed brass (CM-096)  
 gloss white (CM-054)

#### Lamping\*

2700 K LED  
 3000 K LED  
 3500 K LED  
 4000 K LED  
 medium base E26 socket

#### Driver (LED version only)

AC Input Voltage Range: 120-277 V  
 120 V input: TRIAC, ELV & 0-10 V dimmable  
 240 & 277 V input: only 0-10 V dimmable

